



SPX532

LITHIUM BATTERY POWERED



REMOTE CONTROL



- ✓ Multifunctional
- ✓ Proportional
- ✓ LCD Screen
- ✓ Spare battery
- ✓ Alarm & error diagnostic

HYDRAULIC JIB

- ✓ Hook or winch mode
- ✓ 1 ton MAX capacity
- ✓ 17,3 m MAX height
- ✓ Stored on board & easy to install



SPECIAL FEATURES



- ✓ 400 kg Pick&Carry
- ✓ Virtual Walls
- ✓ Self-diagnostic system
- ✓ All accessories on board
- ✓ Variable displacement pump

WINCH



- ✓ 800 kg single line
- ✓ Up to 125 m rope
- ✓ Up to 4 falls
- ✓ Pulley heads and pulley block on board

MAIN BOOM



- ✓ 3,2 tons MAX capacity
- ✓ 12 m MAX height
- ✓ 4 hydraulic extension by chain
- ✓ High-resistance steel
- ✓ Hook & winch mode

360° ENDLESS ROTATION

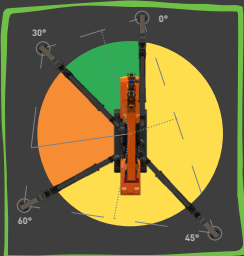
LITHIUM BATTERY POWERED



- ✓ 48 V, 210 Ah
- ✓ Can operate while charging at 220 V
- ✓ Three-phase 7 kW electric motor
- ✓ 400 V external battery charger

OUTRIGGERS

- ✓ 1250 different configurations
- ✓ 4 independent stability areas
- ✓ Self-levelling system



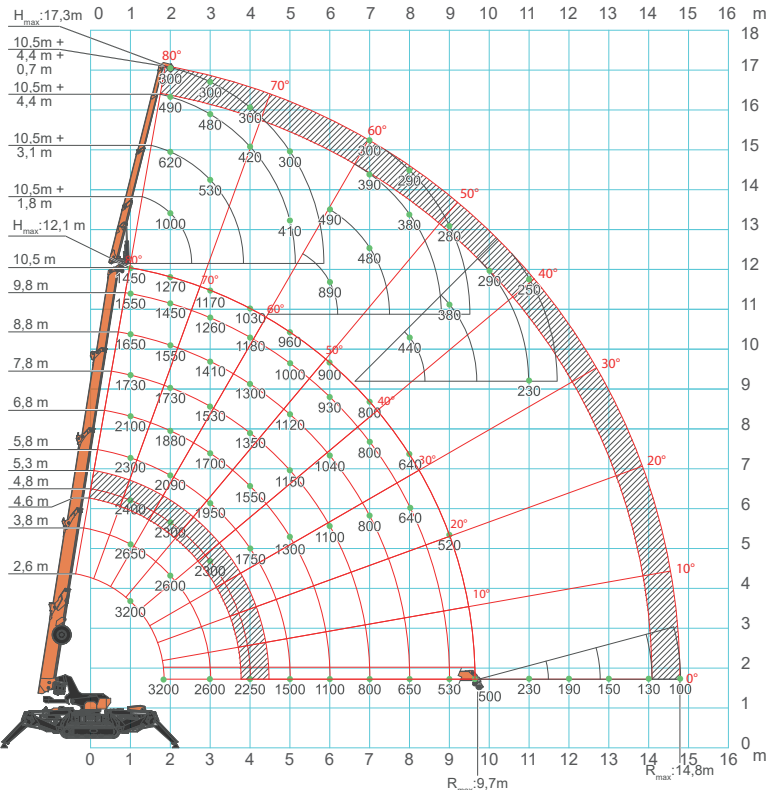
TRACKS

- ✓ White or black tracks
- ✓ 45° hydraulically extendible





LOAD CHART

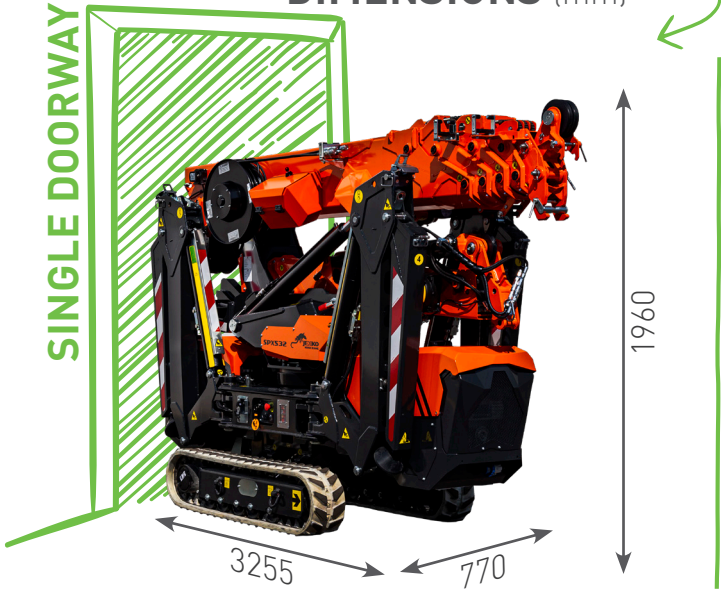


SCAN FOR MORE TECHNICAL DATA

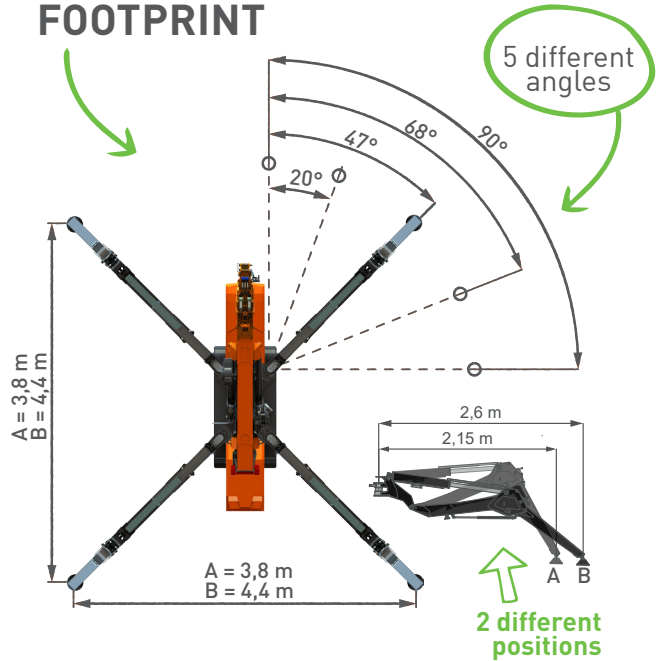
	Kg
SPX532	2520
Hydraulic Jib	210
Winch	52
Electric Power Unit	63



DIMENSIONS (mm)



FOOTPRINT

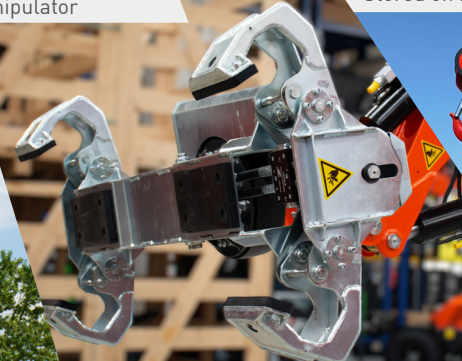


ACCESSORIES

JVM800-R
800 kg glass manipulator



JIB500GR
500 kg steal beam manipulator



1,2 ton RUNNER JIB
Stored on board



1 ton Hydraulic JIB
Stored on board

