



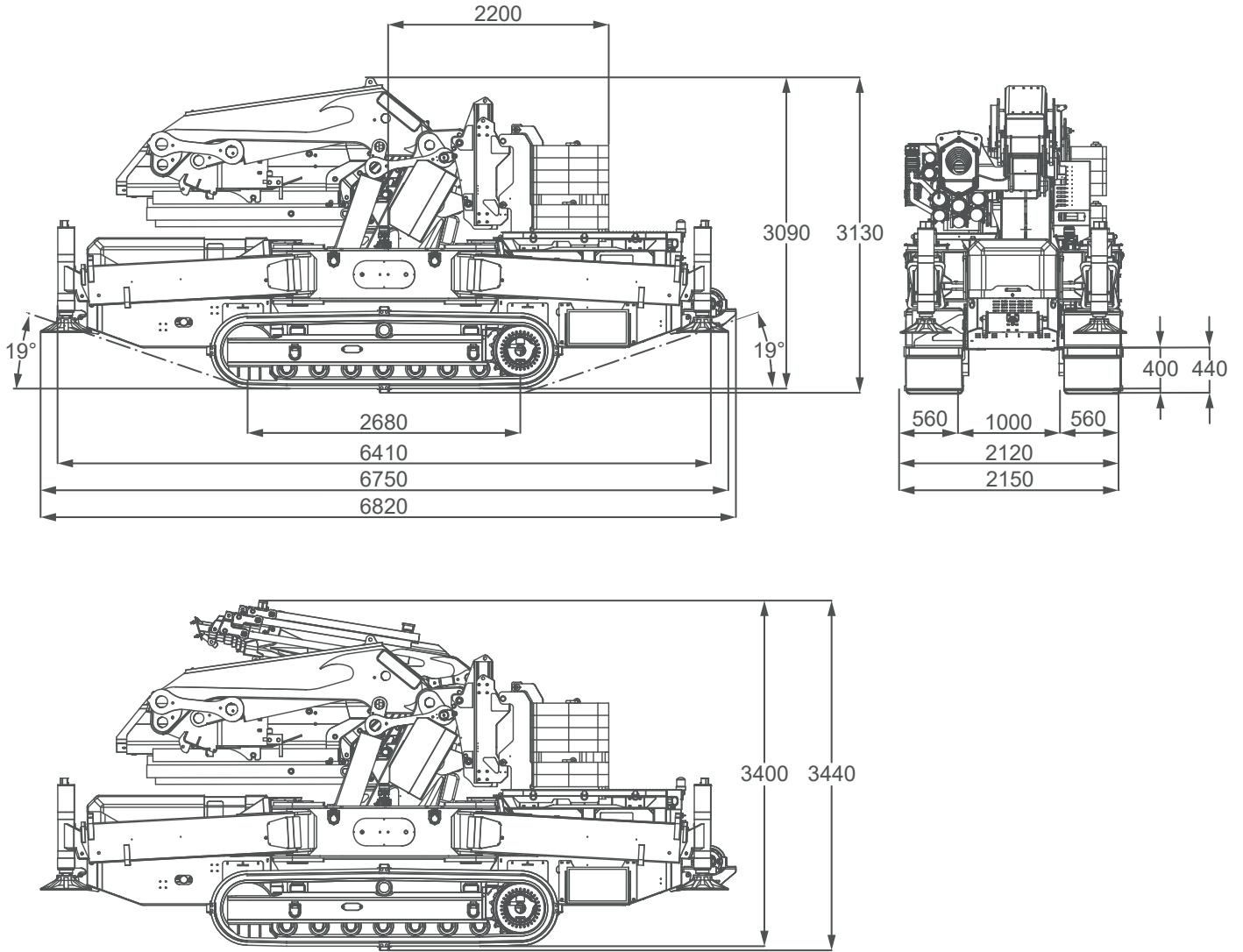
# Technical Data

Specification & Capacities

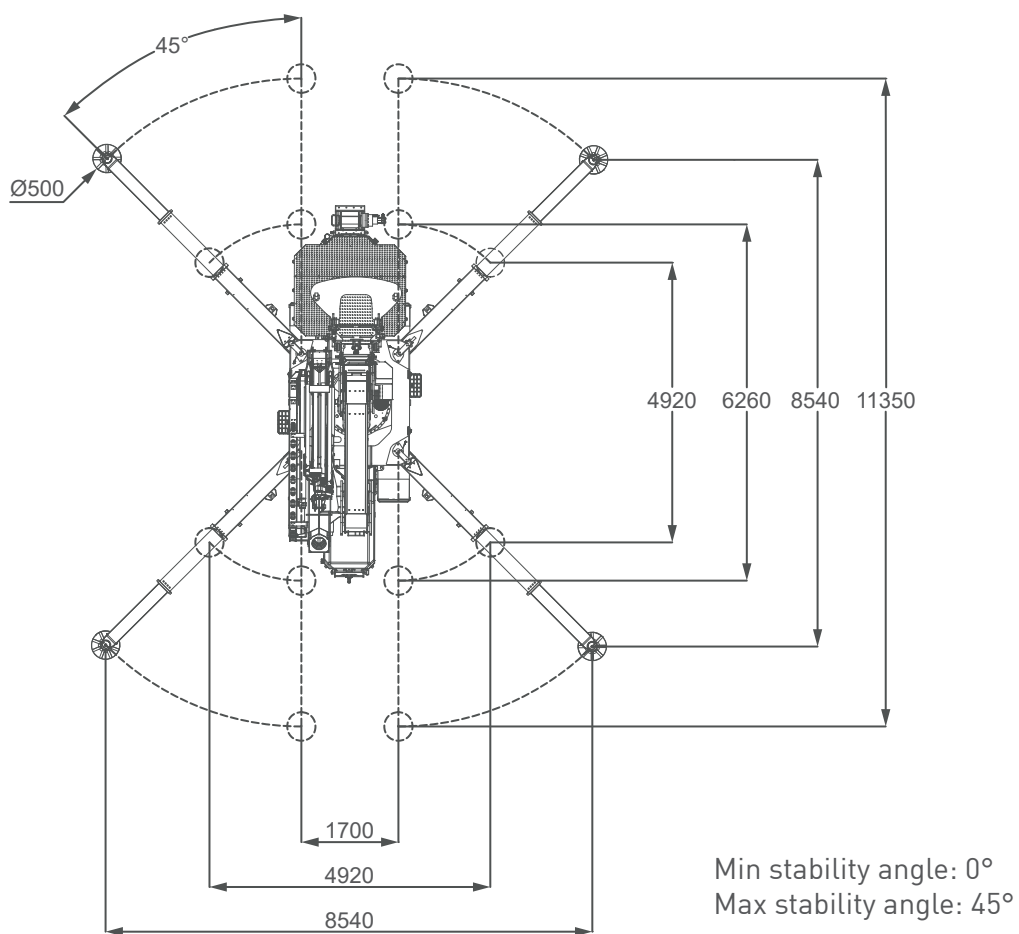
# JF990

## OVERALL DIMENSIONS

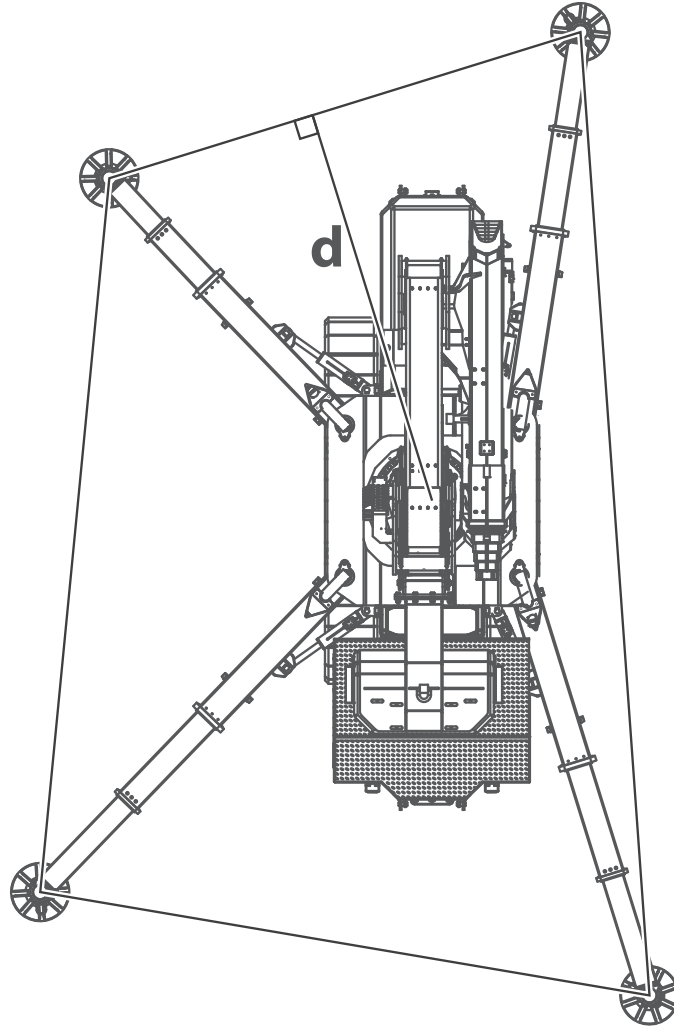
(without jib and low marking pads)



## STABILIZATION AREA



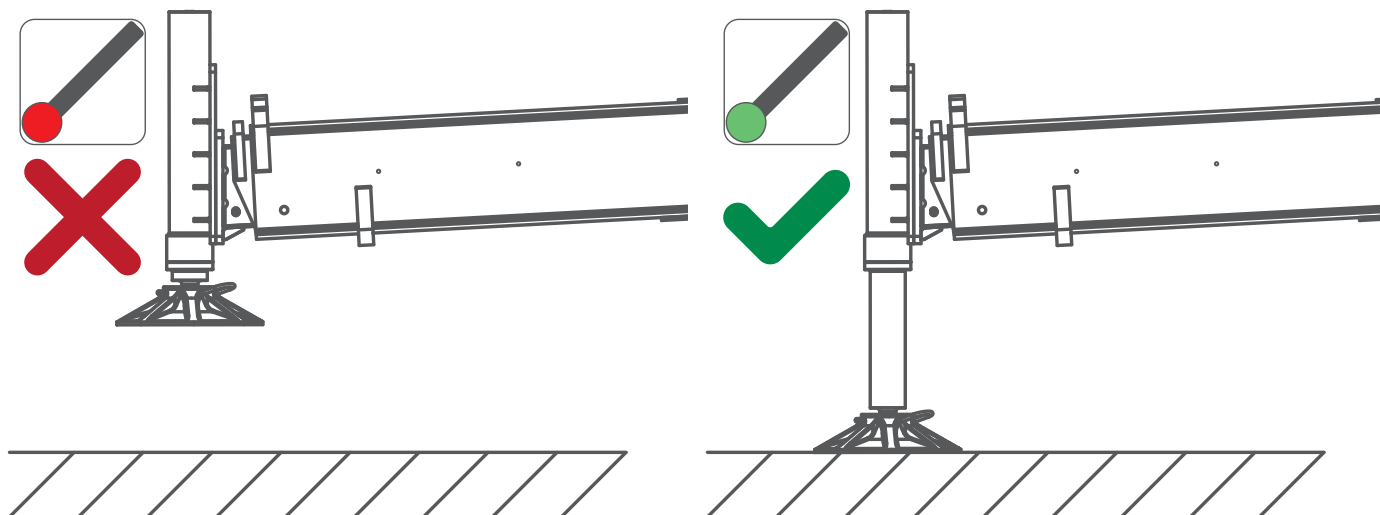
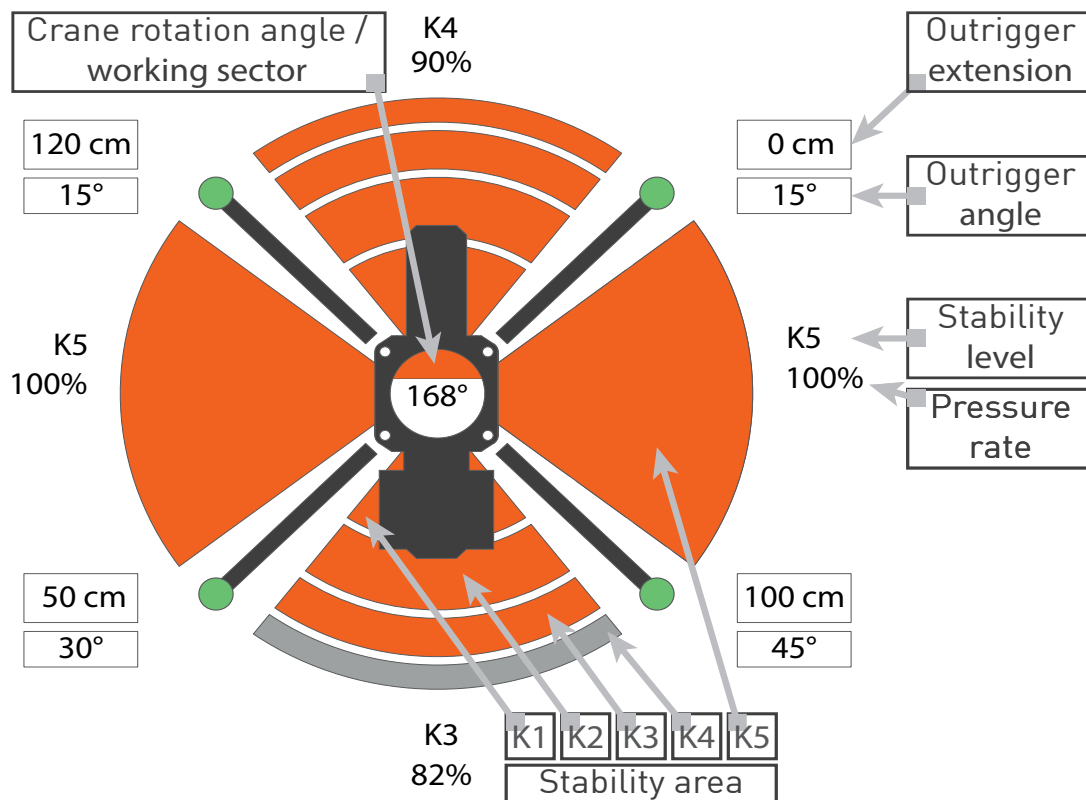
## CRANE PERFORMANCE



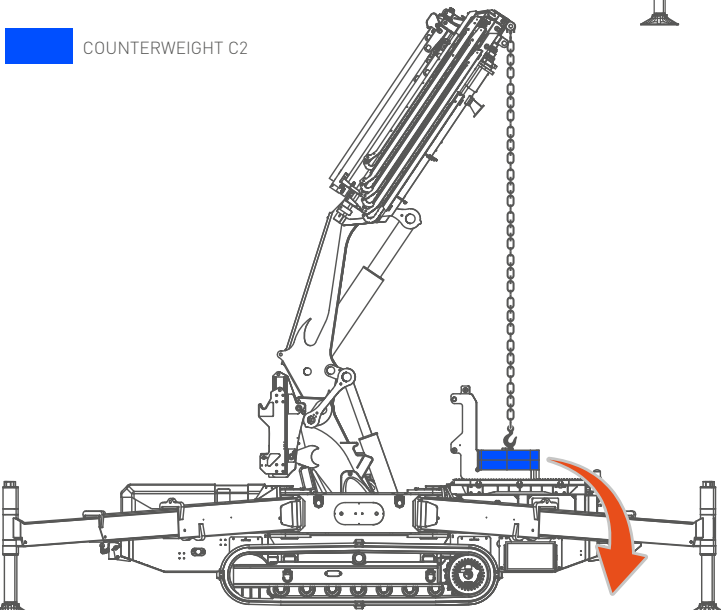
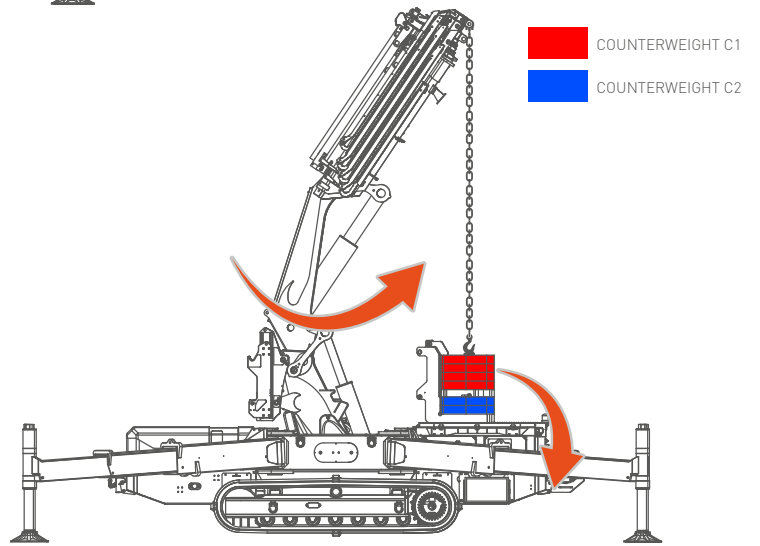
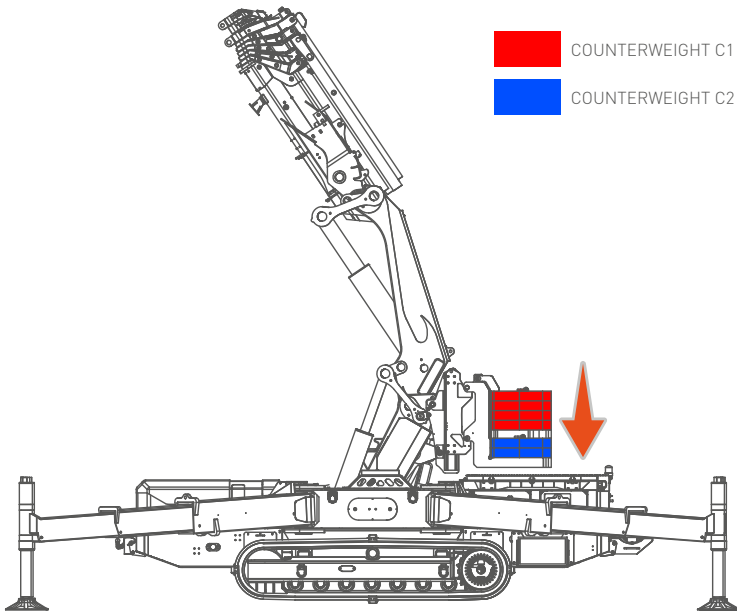
K	d min	d max
K1	0,97 m	2,35 m
K2	2,35 m	2,90 m
K3	2,90 m	3,50 m
K4	3,50 m	4,08 m
K5	4,08 m	-

## STABILIZATION CHART

The division into 4 areas is a schematic representation, software adapts pressure level constantly.

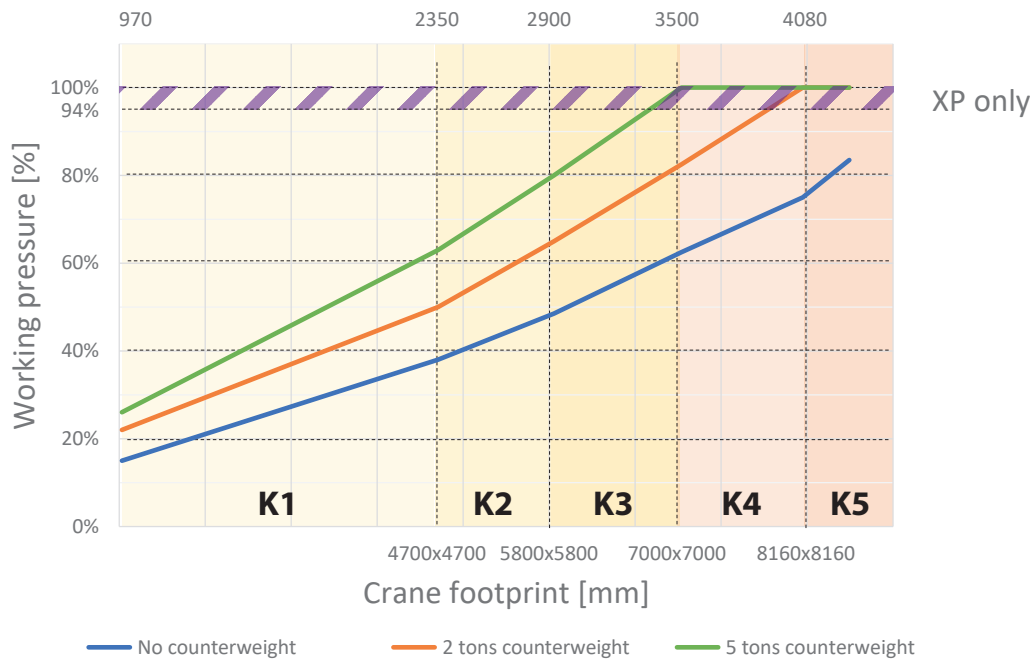


## COUNTERWEIGHT REMOVAL

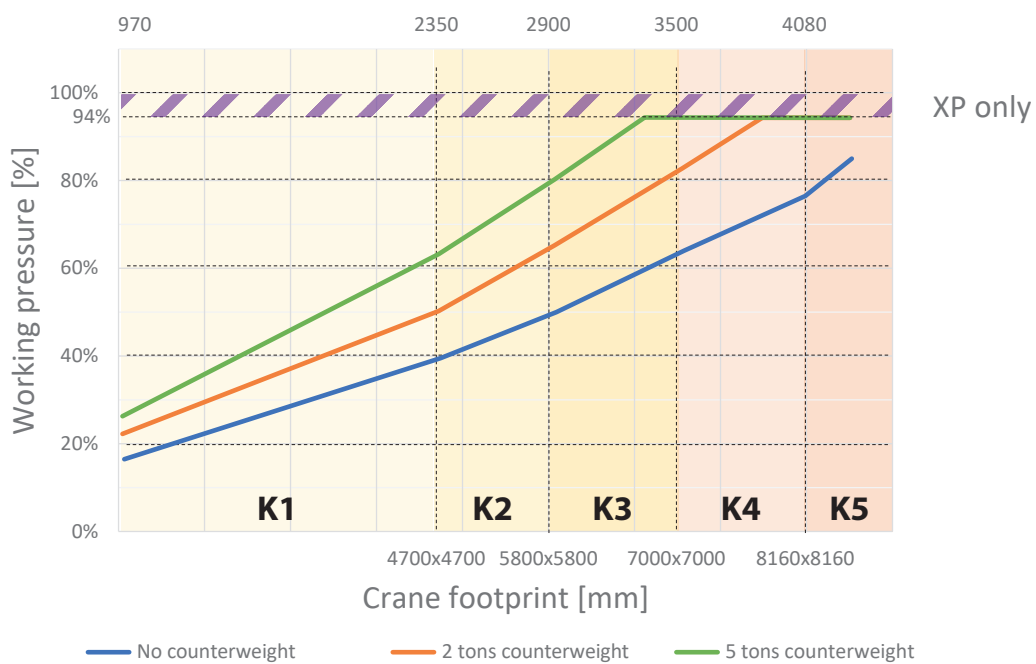


## JF990 - MAIN BOOM

with HOOK

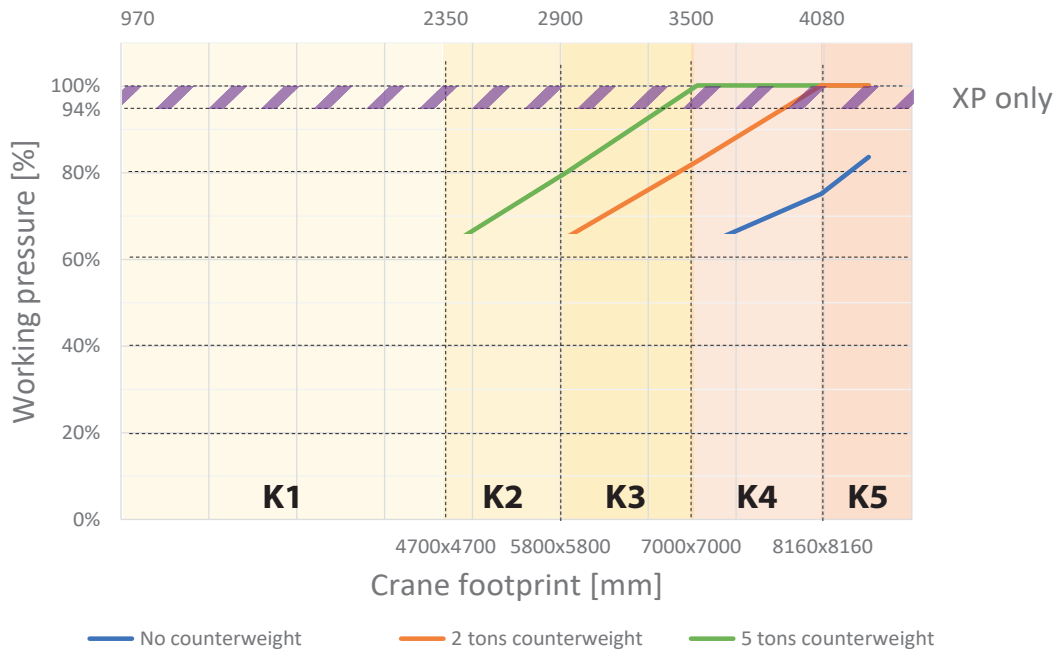


with WINCH

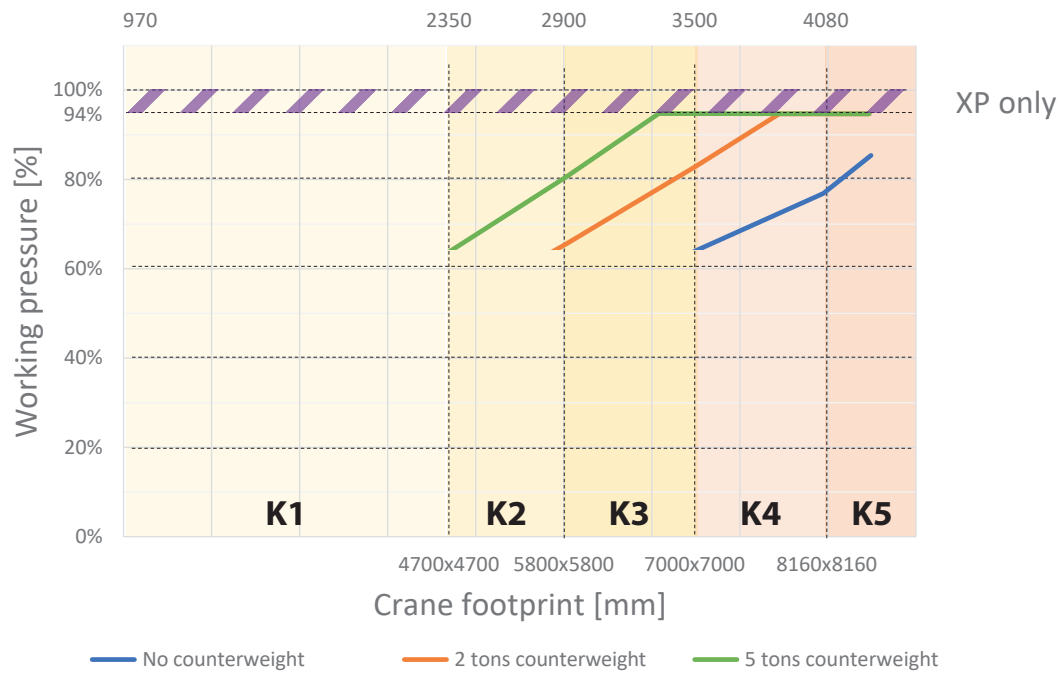


## JF990 - JIB5400.6HA

with HOOK




with WINCH





## OVERALL INFORMATIONS

		NAME	DESCRIPTIONS	U.M	VALUE
		CRANE INFO		OVERALL DIMENSIONS	Height
Length	6.820				
Width	2.150				
	BOOM		Length	m	28,2
			Speed	s	55°
	SLEWING		Angle	°	360°
			Speed	rpm	1
	LIFTING		Working Angle	°	0°/80°
			Speed	s	Primary: 36 Secondary: 37
			Max Capacity	kg	21.000
			Max Outrigger Bearing Load	kg	16.350 <sup>§</sup>
			Track load	kg/cm <sup>2</sup>	0,95
			Travel Speed	km/h	2,2
			Gradeability	°	20° (36%) <sup>‡</sup>
		Working Temperature	°C	-20°/+40°	
		Lifting Class			

		CRANE	DESCRIPTIONS	U.M	VALUE
		WEIGHTS		CRANE	All
COUNTERWEIGHT	CW-1			kg	3.000
	CW-2			kg	2.000
HOOK BLOCK	Single Fall			kg	73
	Double Fall			kg	71
	Triple fall			kg	74
	Jib single fall			kg	84

\*: Dry weight




‡: Kit including pulleys


‡: Engine working limit


§: Static lifting

°: Measured without load, fully stabilized and without XP

# JF990

ACCESSORIES		JIB	JIB5400.6HA	kg	1.750
		MARKING PADS LOAD	WTP-JFX	kg	750
		OUTRIGGERS MATS	OM500	kg	30
		POWER PACK	3-Phase Power Pack	kg	80

ENGINE		MAIN ENGINE	Power	kW	55
				HP	75
			Tank capacity	L	75
		AUXILIARY ENGINE	Power	kW	13
				HP	17,4

HYDRAULIC SYSTEM		Working Pressure		bar	325
		Tank Capacity		L	270
		OIL	Type	Mineral	ISO 6743-4:HV
			Viscosity Grade	VG	46
		MAIN PUMP	Type	Axial Piston Pump	
			Displacement	cm <sup>3</sup> /rev	80
			Max Oil Flow	L/min	160

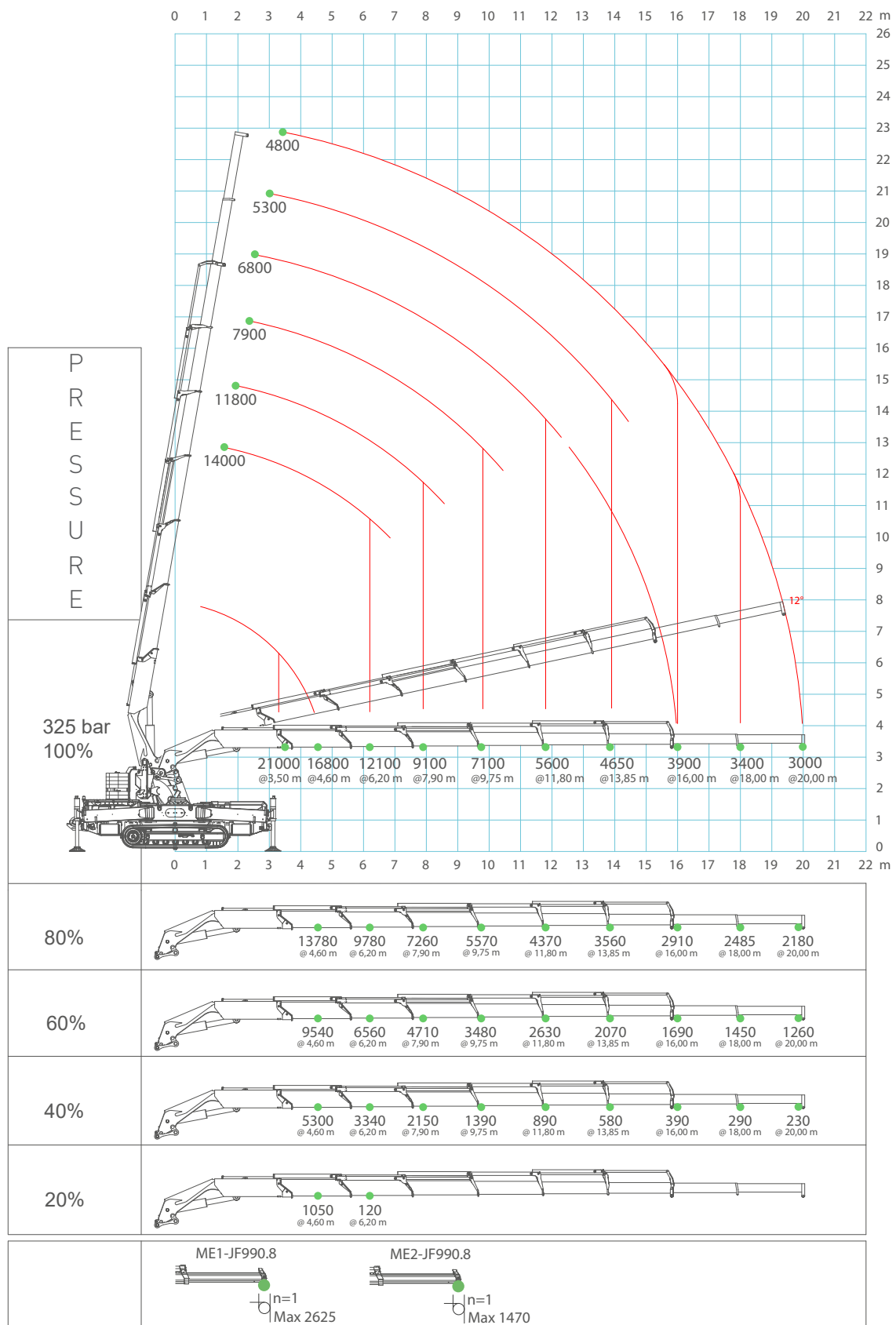
## WINCH PERFORMANCE

ROPE	Wire rope	Max load	Ø	Total lenght
		kg	mm	m
	Right lang lay	30.000	14	60
HOOK BLOCK	Block type	Load	N° of	
		kg	Sheaves	Lines
	Triple fall block	9.000	1	3
	Double fall block	6.000	1	2
	Single line	3.000	-	1

[kg]

# JF990 - MAIN BOOM

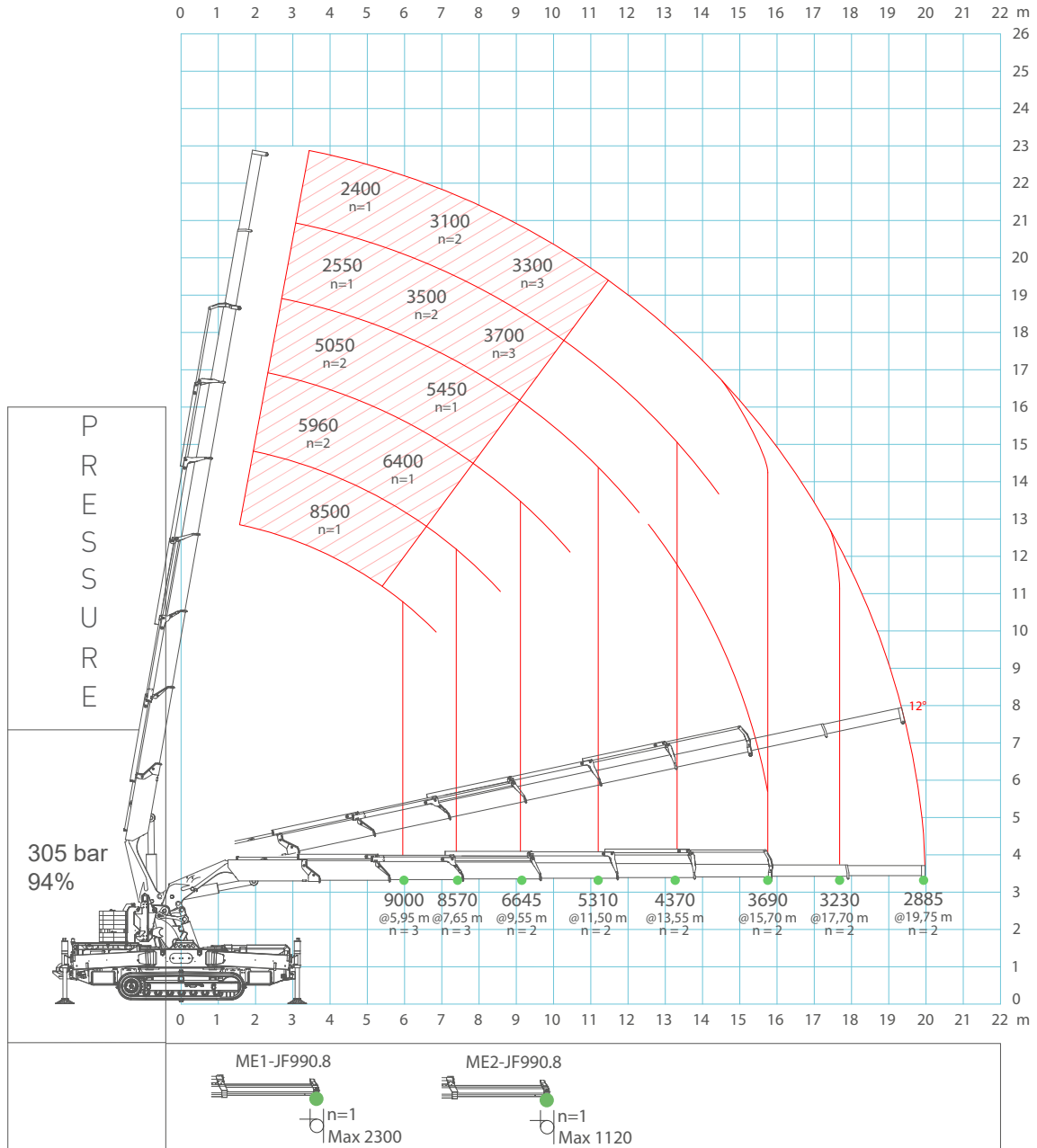
## HOOK configuration



[kg]

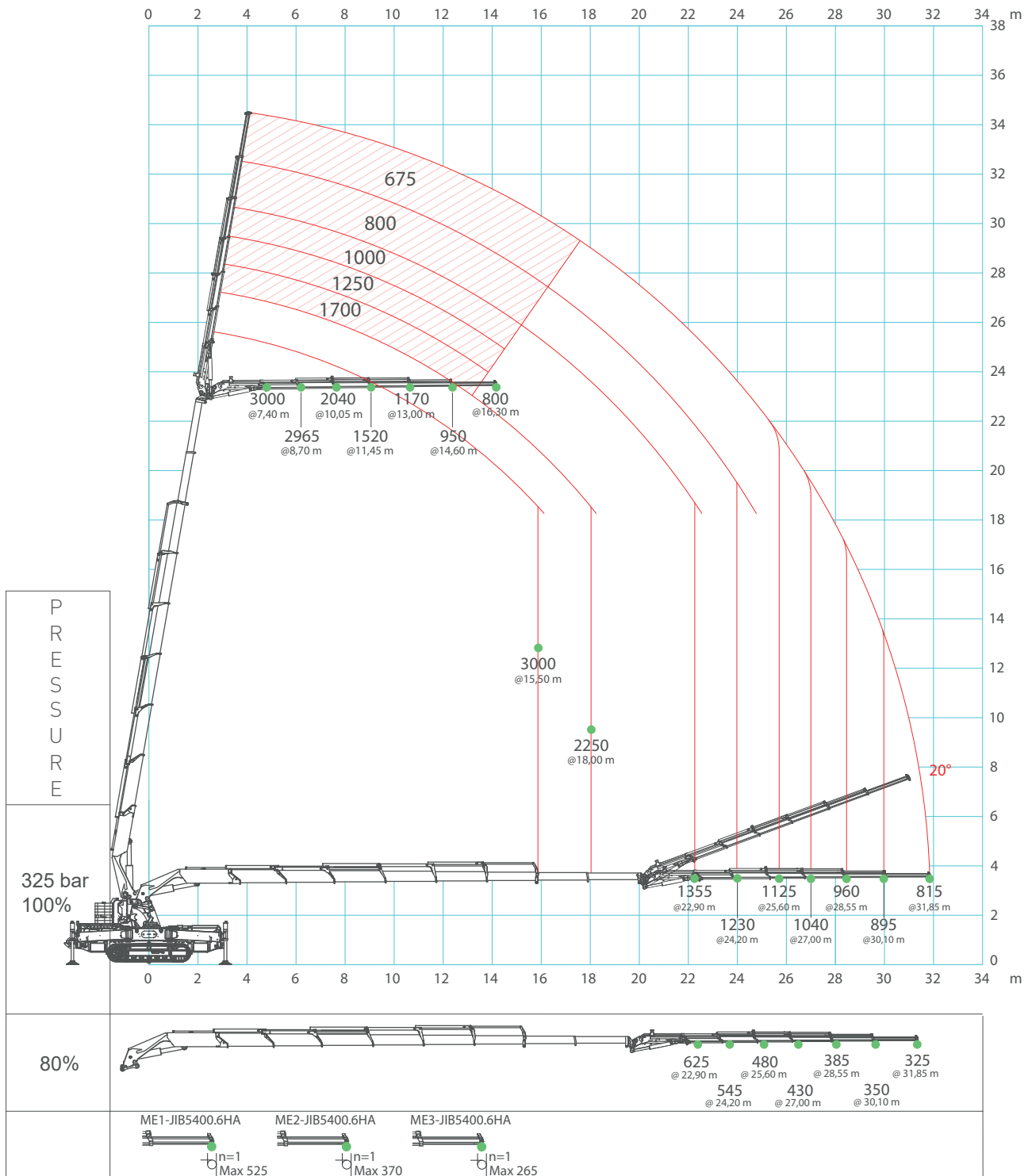
## JF990 - MAIN BOOM

WINCH configuration



# JF990 - JIB5400.6HA

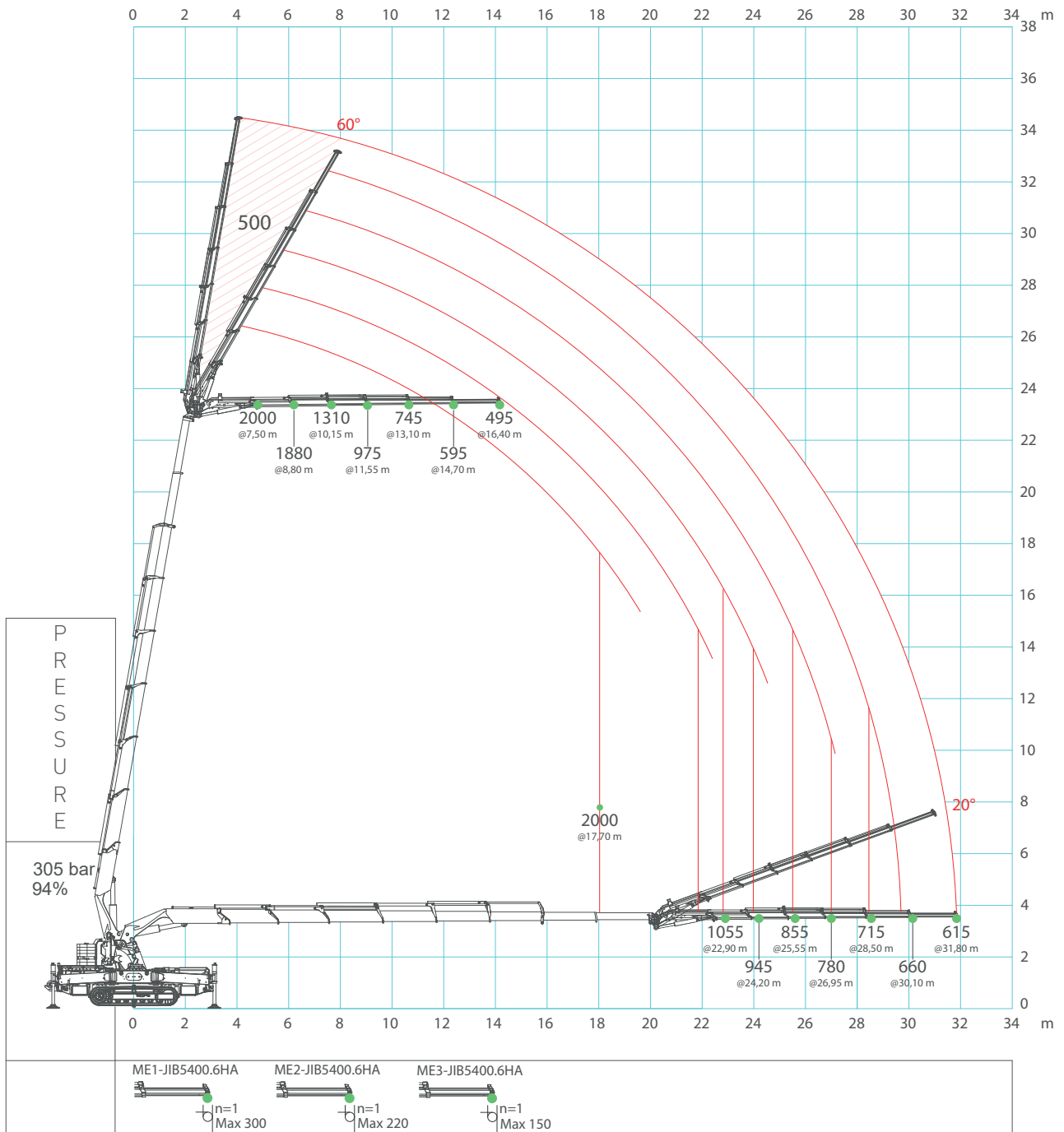
## HOOK configuration



[kg]

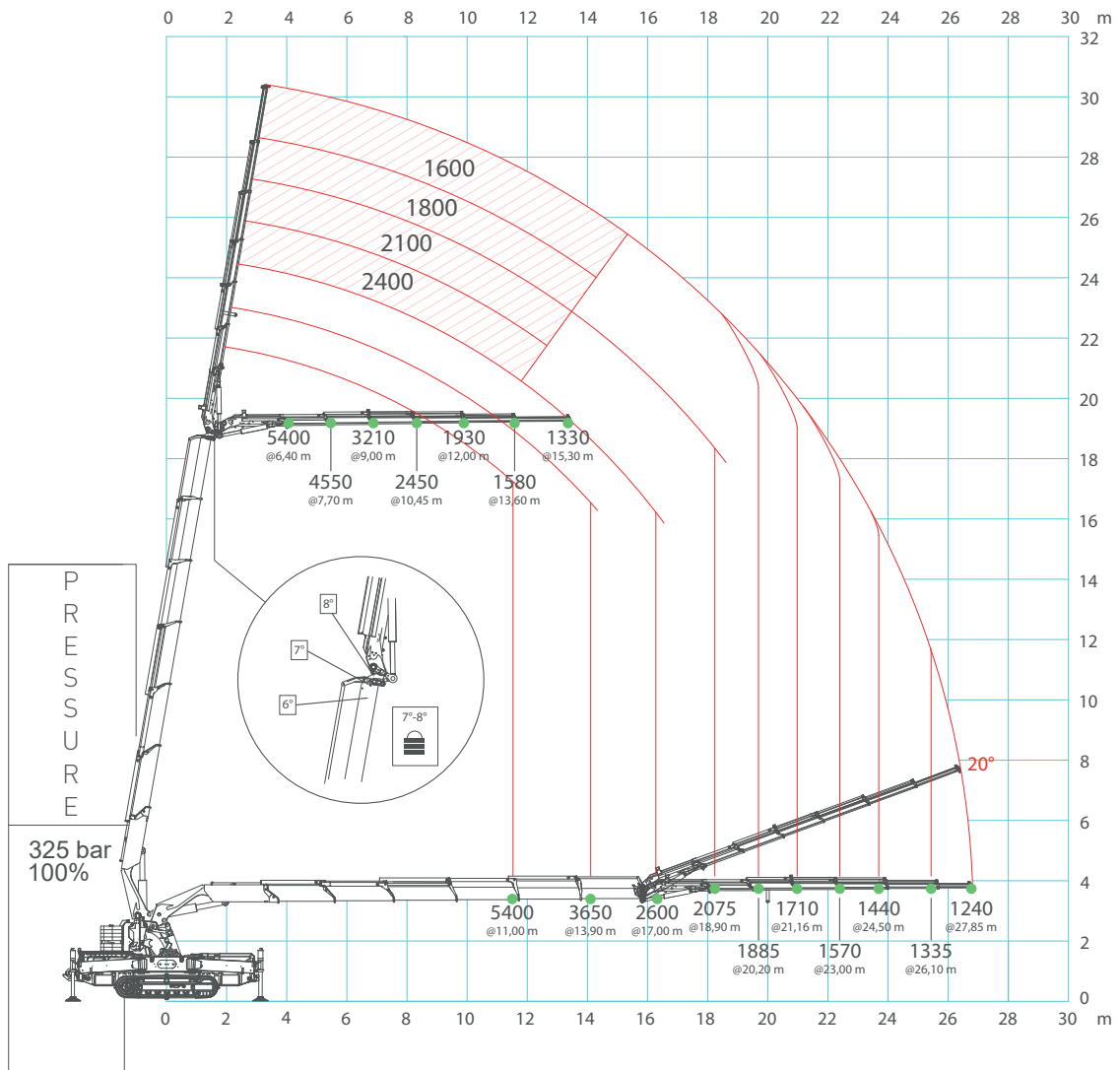
## JF990 - JIB5400.6H

### WINCH configuration



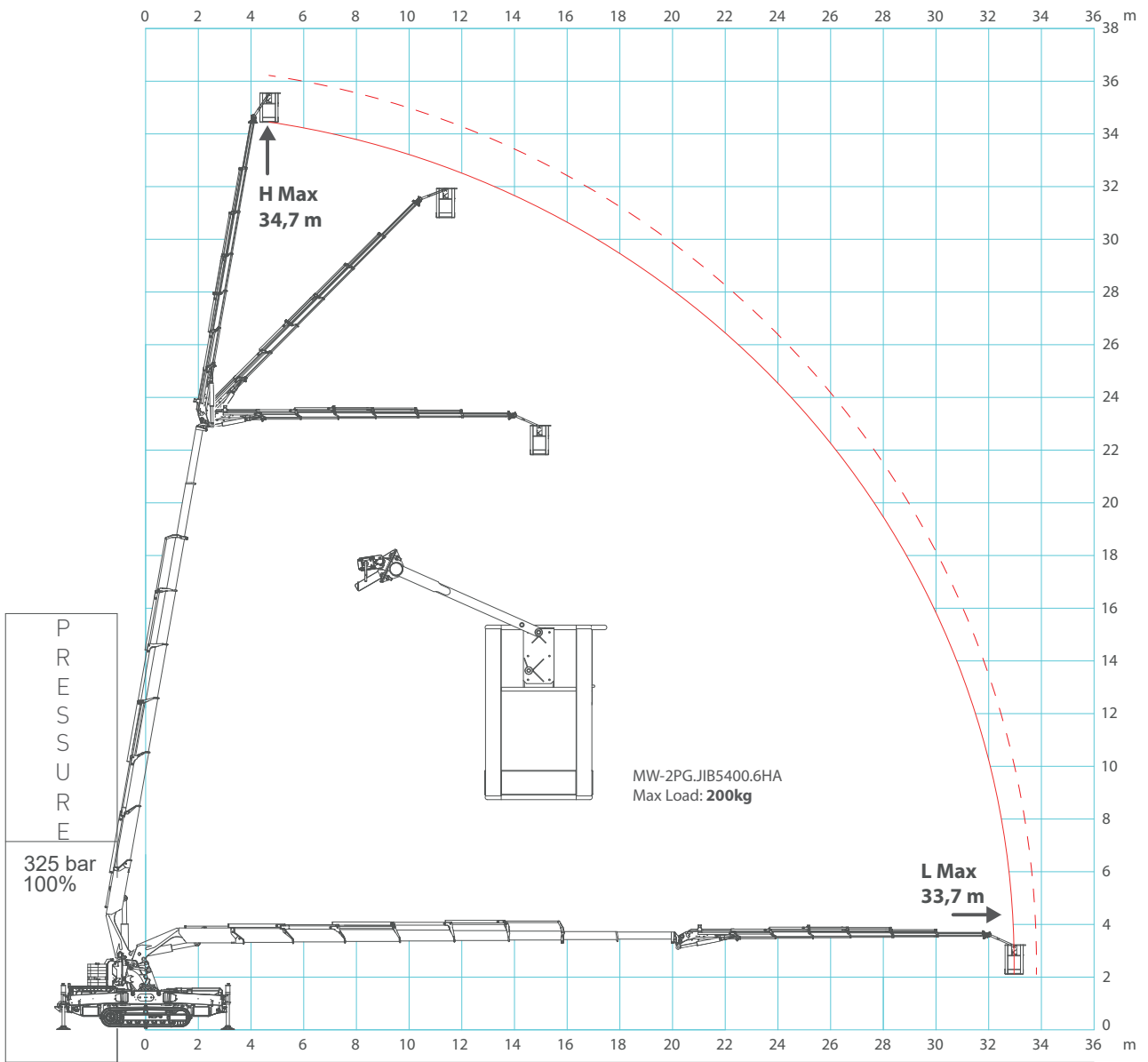
# JF990 - JIB5400.6HA

## JPD configuration



## JF990 - MWP-2PG.JIB5400.6HA

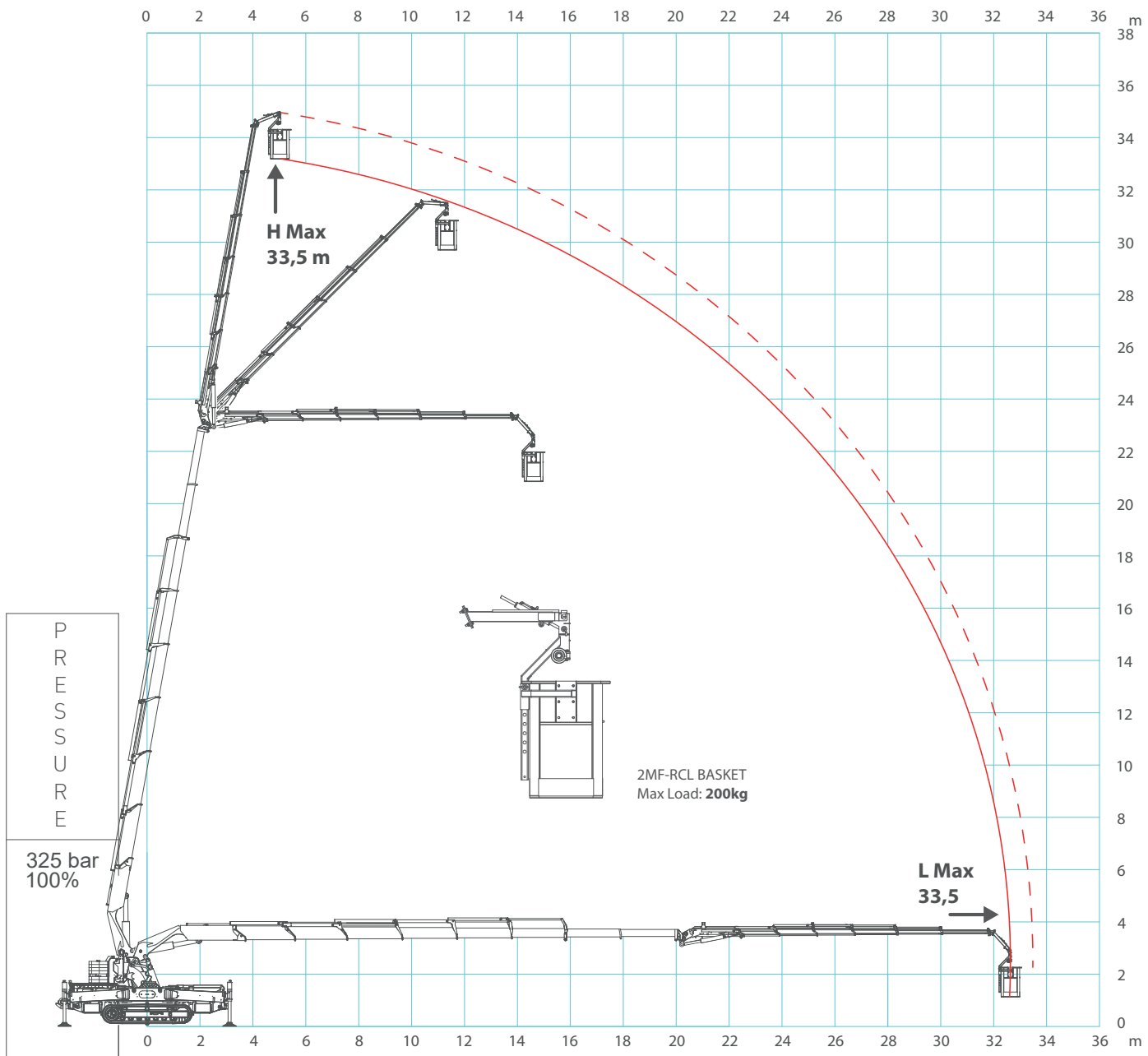
Man Working Platform





# JF990 - MWP-2PGR.JIB5400.6H

Rotating Man Working Platform for 2 Workers

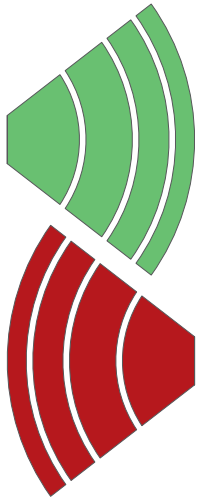


## PLE STABILITY CONDITION

Maximum stability needs 8 conditions: 4 complete outriggers rotation and 4 complete outriggers extension. Every lack of condition induces a loss of working area. If more than one condition lack inhibit sectors are added.

Outrigger rotation is considered at its maximum when angle is  $\geq 43^\circ$ .

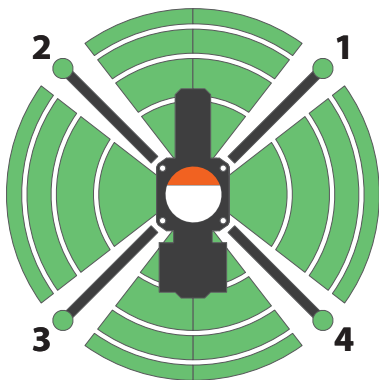
Outrigger extension is considered at its maximum when is greater than  $\geq 95\%$ .



Permitted working area.

Not permitted working area.

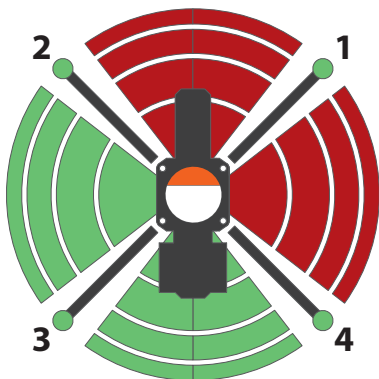
Some examples of the 8 conditions of maximum stability:



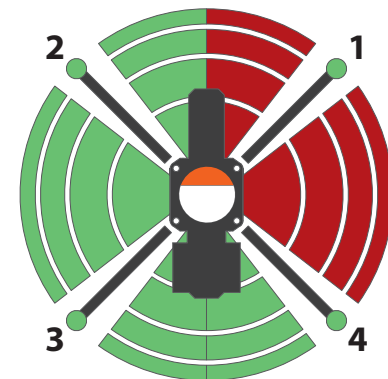
Maximum stability:  
Full rotation of the outriggers.  
Full extensions of the outriggers.



If even a single outriggers is not on the ground no possible movement is permitted.



Outrigger 1 not fully extended but fully rotated.

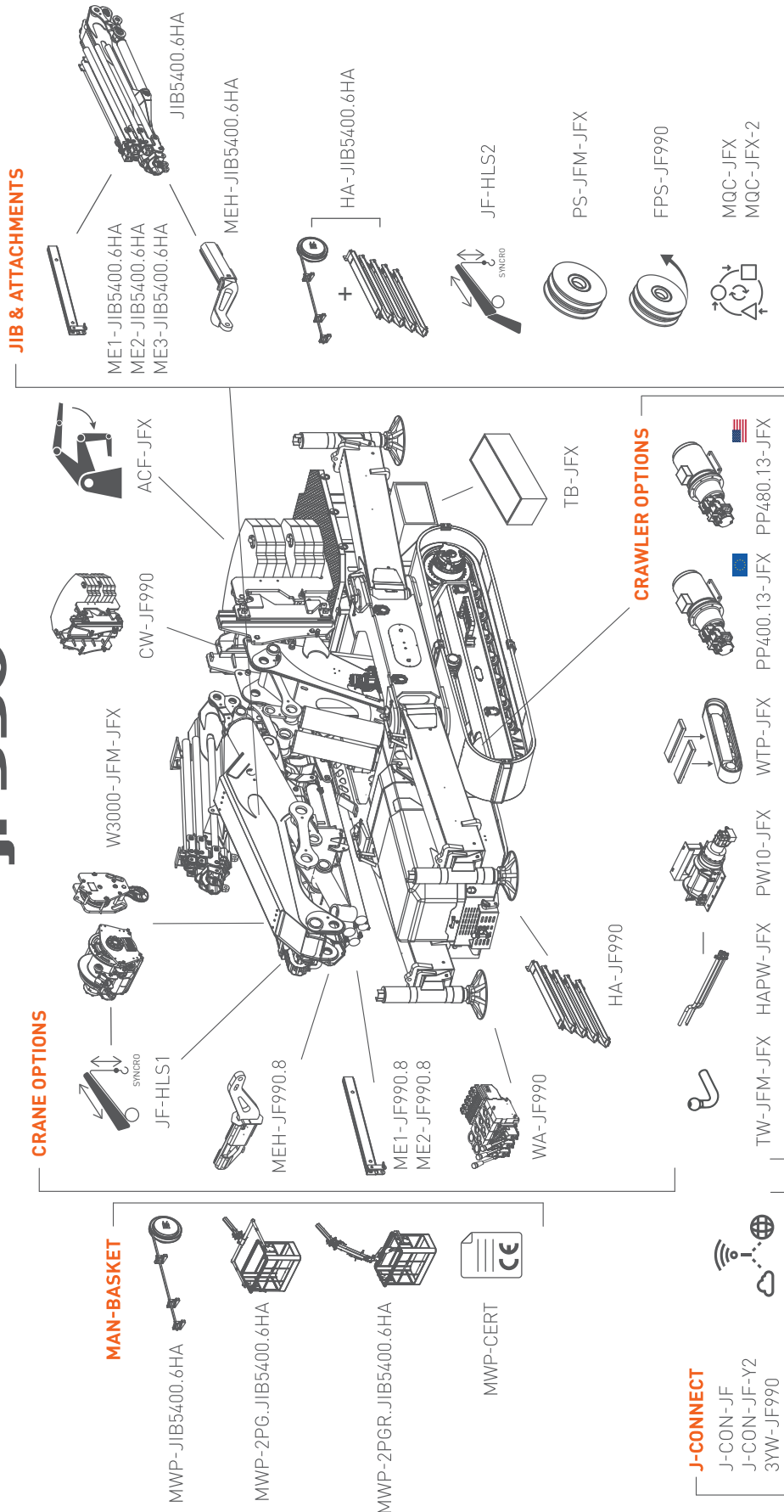


Outrigger 1 fully extended but not fully rotated.

# ACCESSORIES

## JF990

# JF990



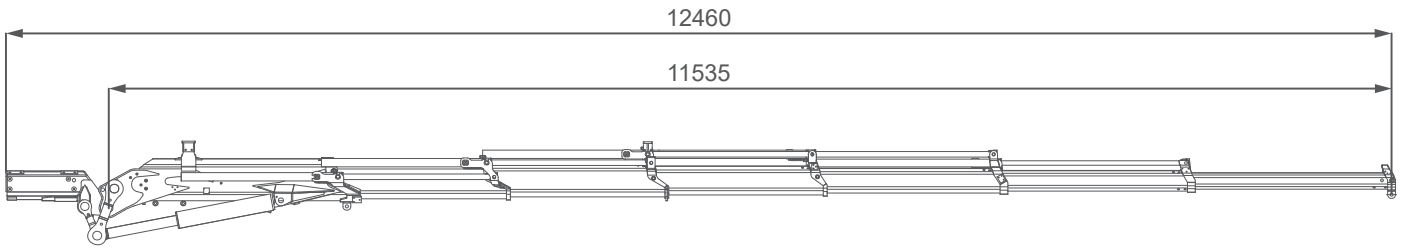
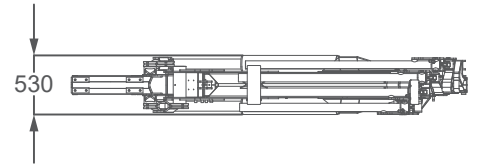
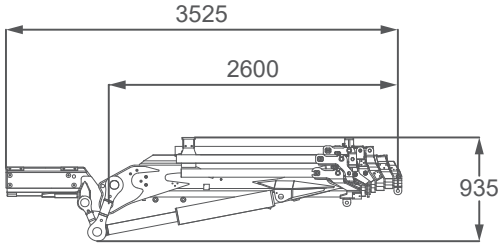
**CRANE COLOR**

Crane  
Crawler & Frame  
Carters & Tool Boxes  
Outriggers

STANDARD	PC1	PC1+PC2	PC1+PC2+PC3
<input checked="" type="checkbox"/> RAL2004	<input checked="" type="checkbox"/> RAL	<input checked="" type="checkbox"/> RAL	<input checked="" type="checkbox"/> RAL
<input checked="" type="checkbox"/> RAL9005	<input checked="" type="checkbox"/> RAL7021	<input checked="" type="checkbox"/> RAL	<input checked="" type="checkbox"/> RAL
<input checked="" type="checkbox"/> RAL9005	<input checked="" type="checkbox"/> RAL7021	<input checked="" type="checkbox"/> RAL	<input checked="" type="checkbox"/> RAL
<input checked="" type="checkbox"/> RAL9005	<input checked="" type="checkbox"/> RAL9005	<input checked="" type="checkbox"/> RAL9005	<input checked="" type="checkbox"/> RAL9005

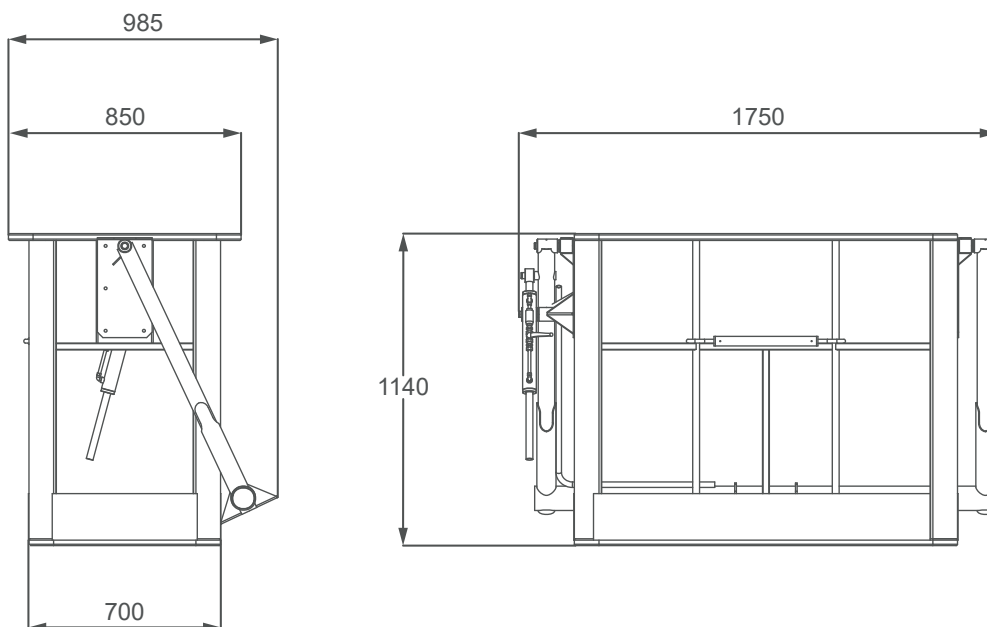


**ACCESSORIES FEATURES**  
**JIB5400.6HA**

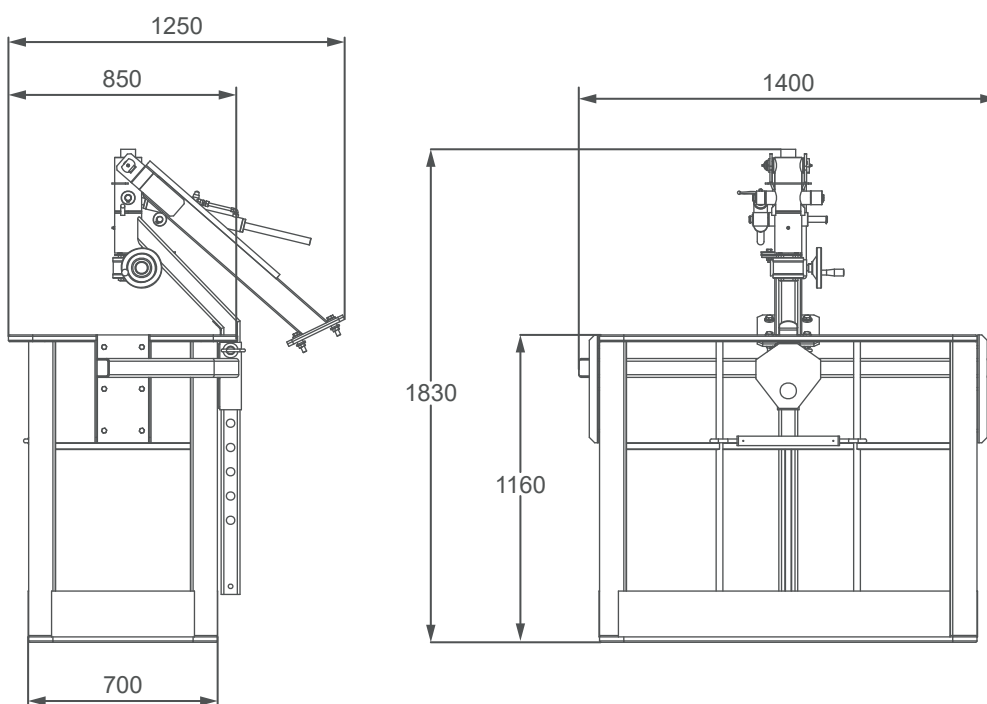


## ACCESSORIES FEATURES






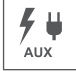











### MWP-2PG.JIB5400.6HA



### MWP-2PGR.JIB5400.6HA



## SYMBOLS

	Weight		Engine		Boom Angle		Outriggers Mats
	Crane		Power Pack		Boom Length		Hydraulic Oil
	Travel Speed		Slewing		Boom Radius		Working Temperature
	Gradeability		Outrigger Load		Track Loading		Load's Marking Pads
	Max Capacity						

### REMARKS REFERRING TO LOAD CHART

- HC1 HD4 S2 lifting class according to EN12999:2011 standards.
- Lifting capacities are given in kilograms.
- The weight of the hook blocks and hooks is part of the load and therefore it must be deducted from the lifting capacities.
- Working radii are measured from the slewing centre.
- The lifting capacities given for the telescopic boom apply if the folding jib is removed.
- Subject to modification of lifting capacities.

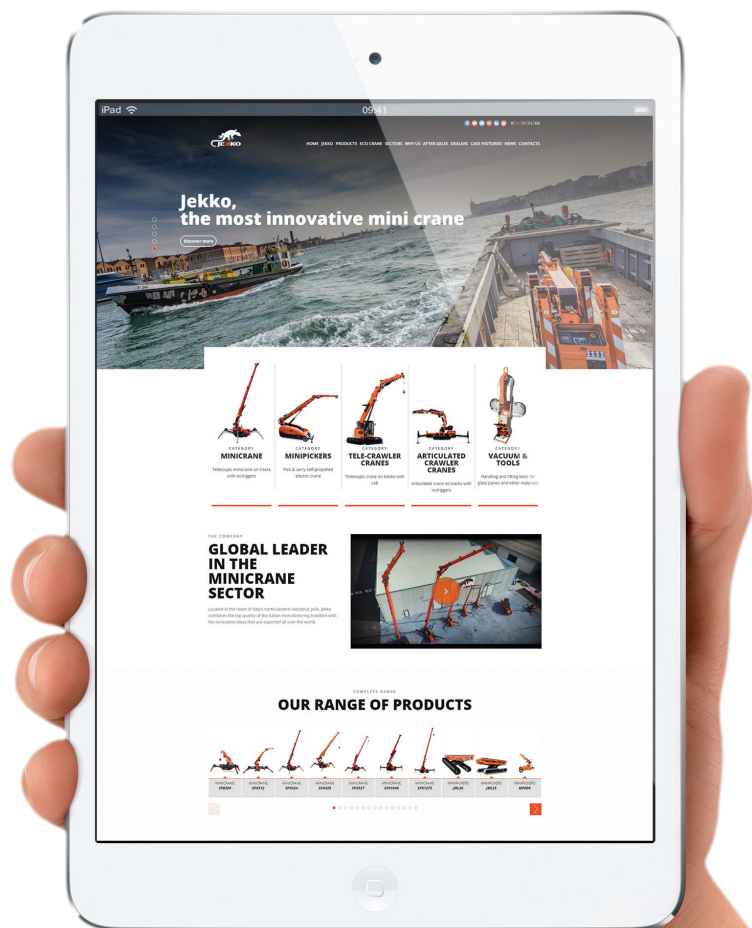
## YOUR JEKKO DEALER

**EN** All specifications and features herein described can be changed without prior advice. All indicated data are indicative only and are not binding as crane performs differently depending on its use. **IT** Tutte le caratteristiche e le specifiche descritte possono essere soggette a variazioni senza preavviso. Tutti i dati riportati sono forniti a puro titolo informativo e non sono impegnativi dal momento che le prestazioni della macchina variano in funzione dell'utilizzo. **DE** Unangekündigte Änderungen sämtlicher Eigenschaften und Daten sind möglich. Alle Angaben sind Richtwerte und nicht verbindlich da die Leistungen der Vorrichtung von deren Einsatz abhängen. **ES** Todas las características y las especificaciones aquí indicadas pueden ser sujetas a variaciones sin aviso. Se dan todos los datos aquí indicados como simples informaciones. No se consideran como vinculantes, dado que las prestaciones del maquinario pueden variar. **FR** Toutes les caractéristiques et le spécifications descriptives peut être sujet à variation sans préavis. Tout les données rapportés sont fournis à titre informatif et ne sont pas engager au moment que la prestation de la machine change en fonction de l'emploi.



[www.jekko-cranes.com](http://www.jekko-cranes.com)

Visit [jekko-cranes.com](http://jekko-cranes.com) to keep in contact with us, discover all the latest news and find out technical details of all our products.





**Jekko s.r.l.**

Via Campardone, 1 - 31014 Colle Umberto (TV) - Italy  
info@jekko.it - www.jekko-cranes.com

09.02.2024 | Rev.8

SERIAL NUMBER:

