



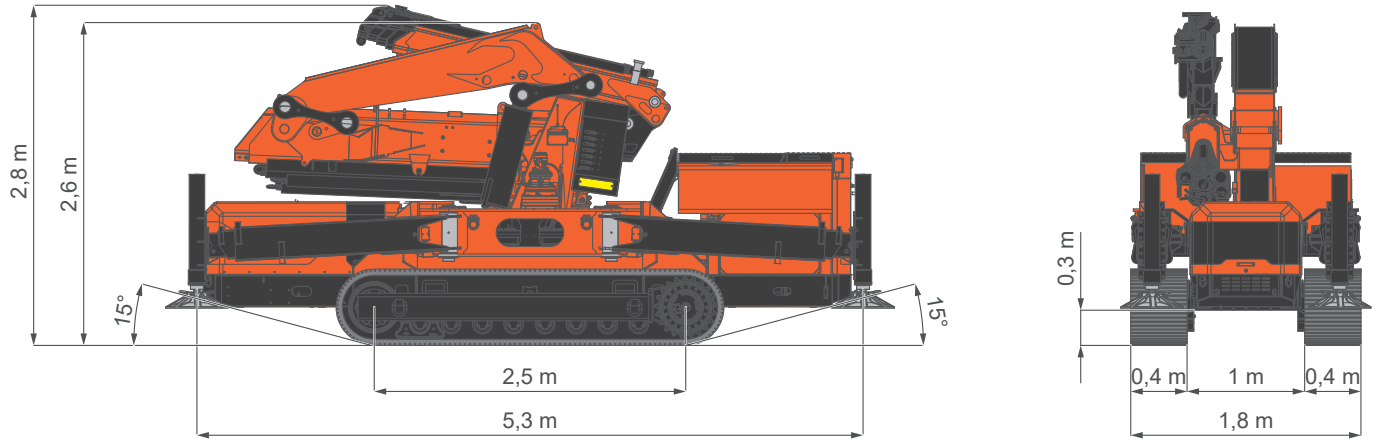
Technical Data

Specification & Capacities

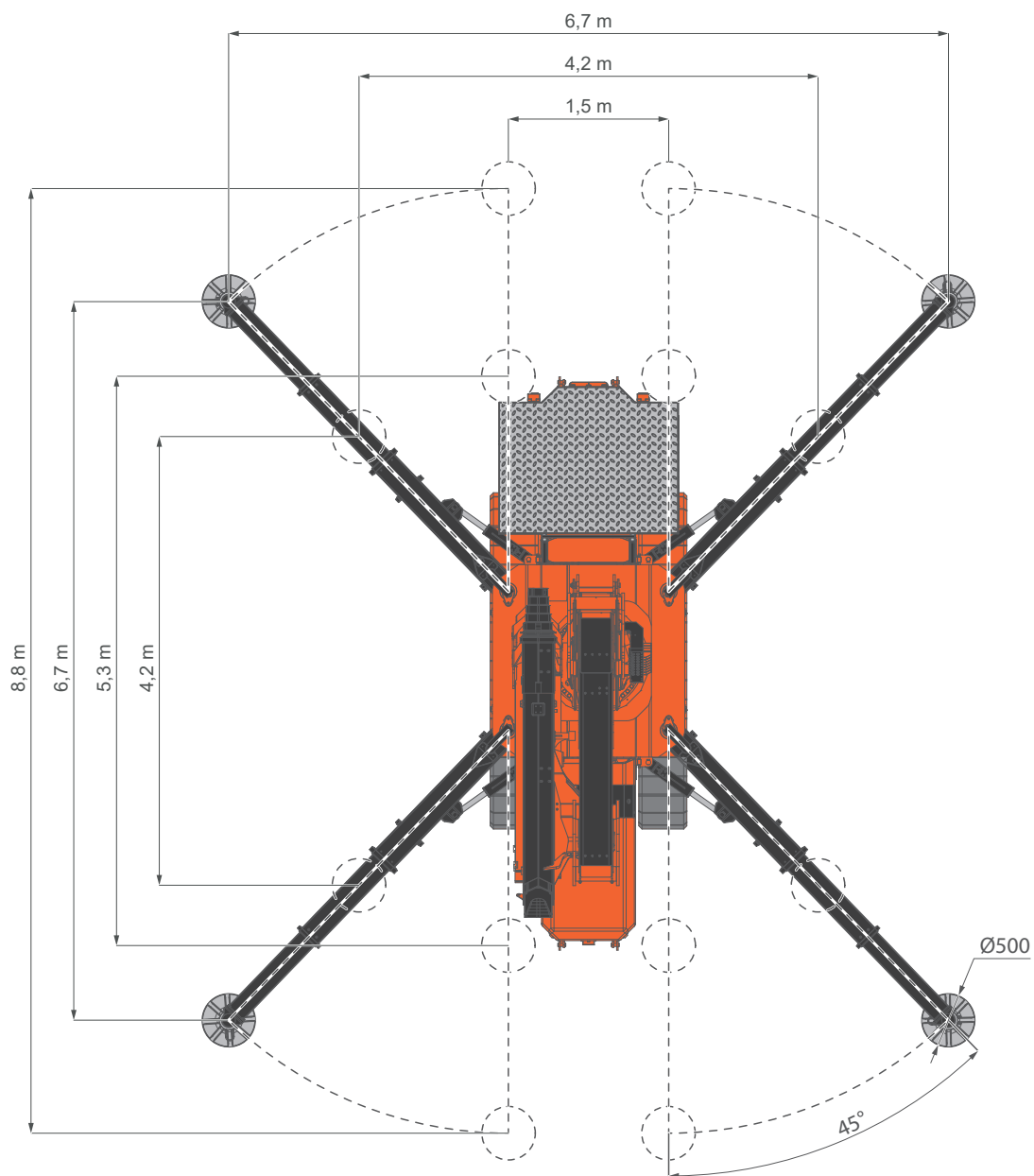
JF365

OVERALL DIMENSIONS

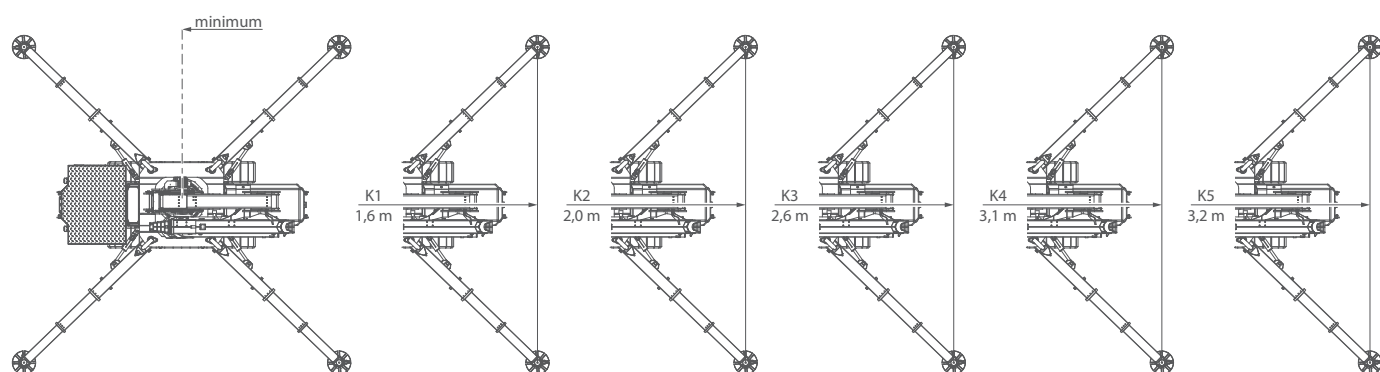
(without low marking pads)



CRANE FOOTPRINT

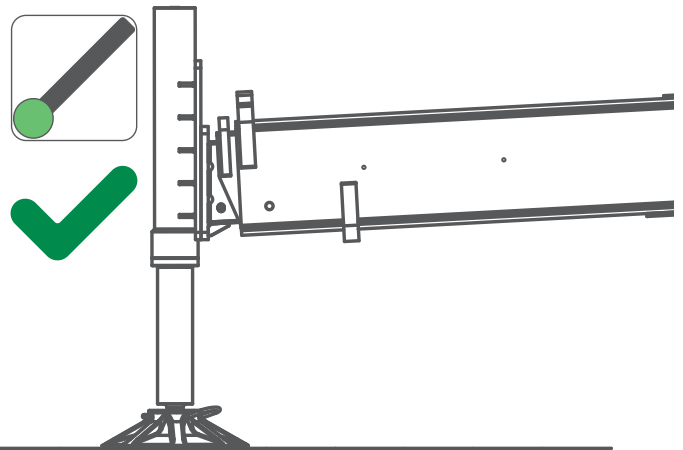
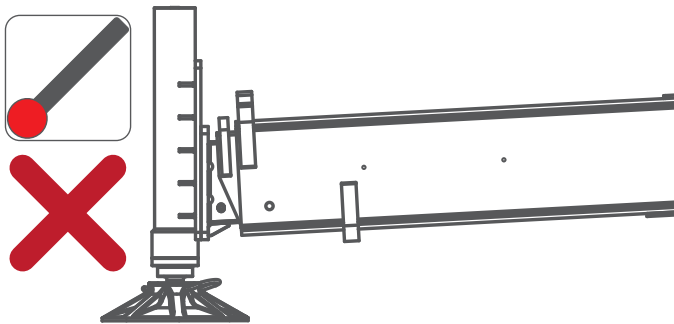
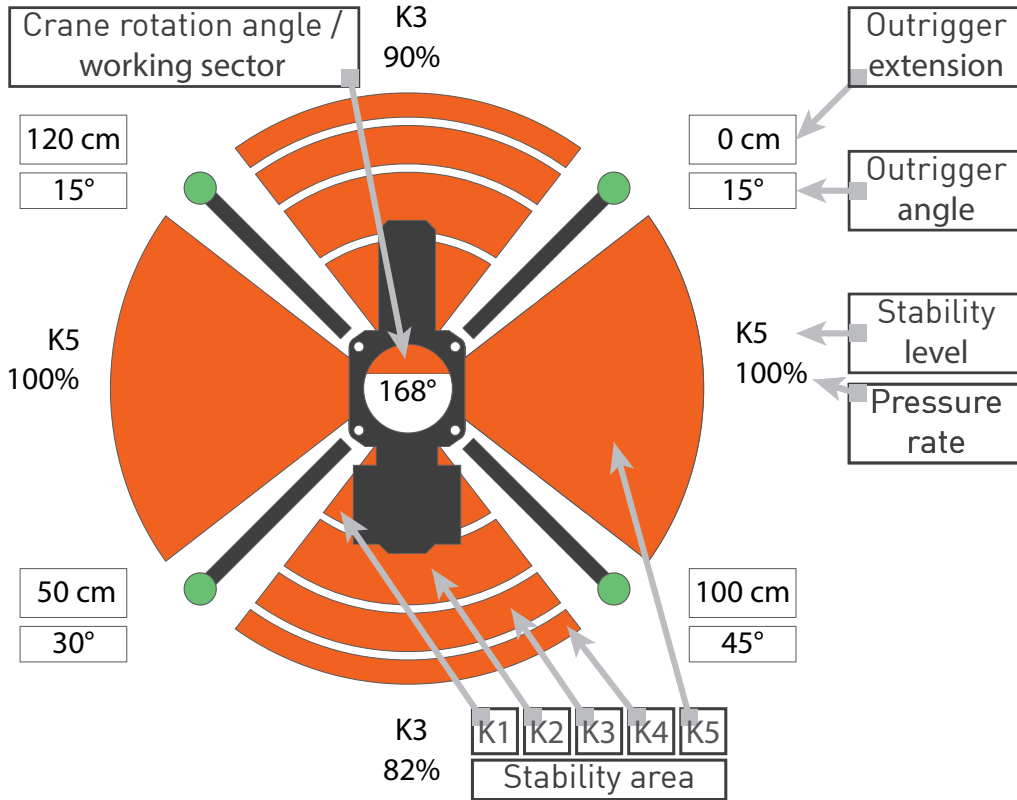


Min angle stability: 0°
Max angle stability: 45°

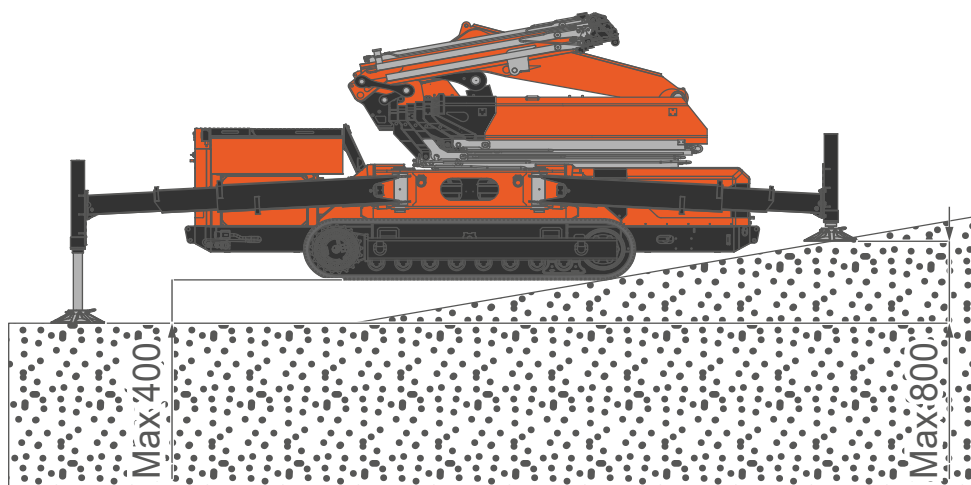


STABILIZATION CHART









The division in 4 areas is a schematic representation, software adapts level pressure continuously.














STABILIZATION ADJUSTMENT



OVERALL INFORMATIONS

		Name/ version	kg*
WEIGHTS	 Crane	ALL	12300
	 Winch	W2000-JFM	190
	 Hookblock†	SINGLE FALL	47
		DOUBLE FALL	58
		TRIPLE FALL	57
		JIB SINGLE FALL	75
	 Power Pack	3-PHASE POWERPACK	80
	 Jib	L214	650
	 Basket	MWP-1PG. JIB2500.4HA	87
		MWP-2PG. JIB2500.4HA	107
MWP-2PGR. JIB2500.4HA		156	
 Low marking pads	WTP-JFM	267 (2,9 x 92)	
 Outriggers mats	OM500	30	

ENGINE	 Engine	KUBOTA V3307-CR-TE4B	
	KW Power	55kW 75HP	
	 Fuel	DIESEL	
ELECTRIC	 Tank	L	75
	kW Power	400V-3F 13kW 17,4HP	
HYDRAULIC	 Hydraulic Oil	ISO 6743-4:HVLP with VG46 viscosity class	
		Working temp	<70 °C
		L	200
MOVEMENTS	 Travel Speed	km/h	2,5
	 Gradeability	20° (36%)‡	
	 Track Load	kg/cm²	0,65
	 Outrigger Load	kg	8500§
	 Working Angle	0°/80°	
		s	Primary: 34 Secondary: 47
	 Slewing	360°	
		rpm	1
 Boom Telescoping	m	15	
	s	42°	

*: Dry weight

†: Kit comprehensive of pulleys

‡: Engine working limit

§: Static lifting

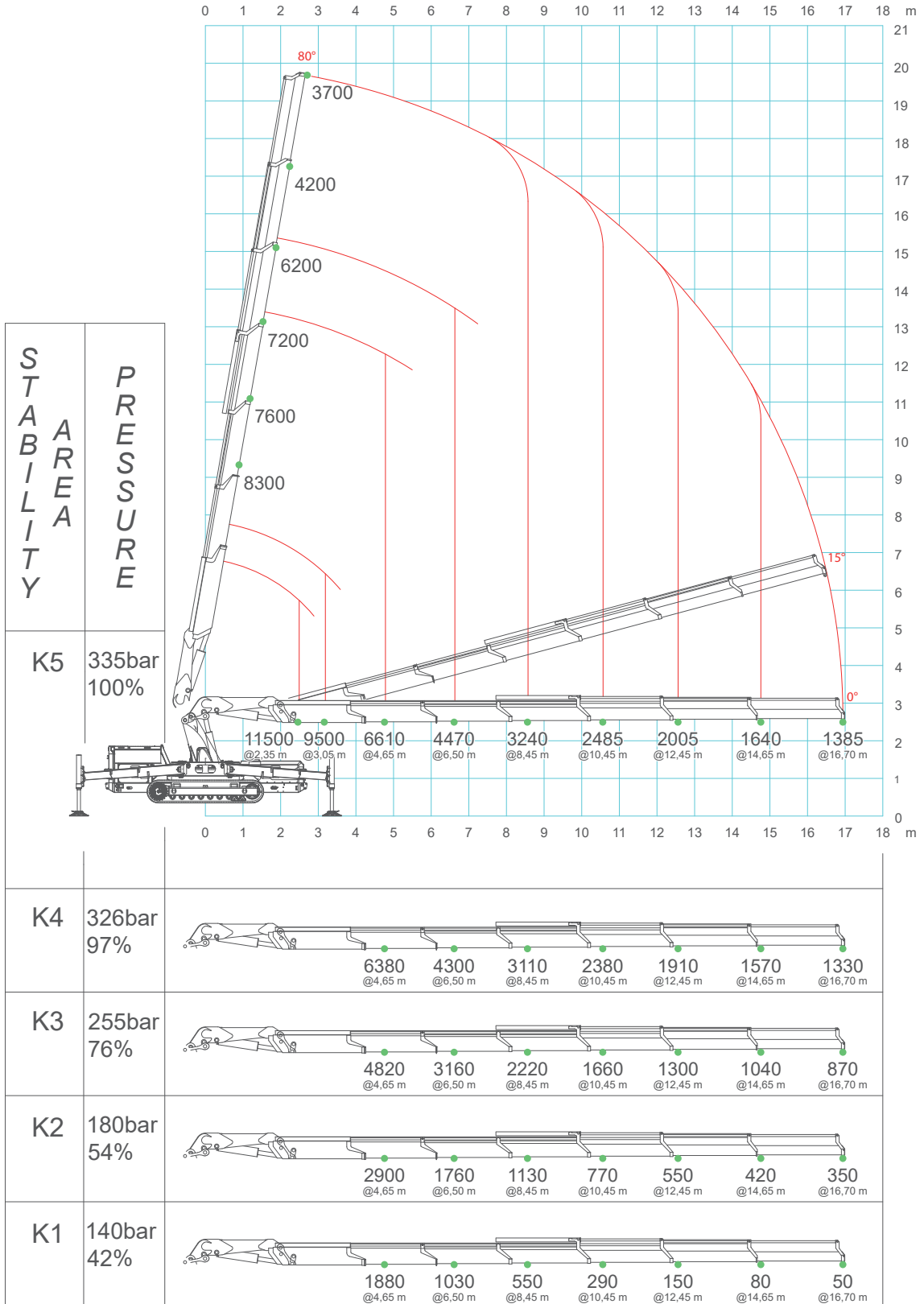
◇: Timing without load, fully stabilised and without XP

WINCH PERFORMANCE

W2000-JFM				
WINCH	Layer	Max pull line	Standard rope speed	Highest rope speed
		kg	m/min	m/min
	1	2600*	36,5	N/A
	2	2400*	40,0	N/A
	3	2200*	43,5	N/A
ROPE	Wire rope	∅	Total lenght	Max load
		mm	m	kg
	Right lang lay	14	60	30000
HOOK BLOCK	Load	N° of		Block type
	kg	Sheaves	Lines	
	9000	1	3	Triple fall block
	6000	1	2	Double fall block
	3000	-	1	Single line

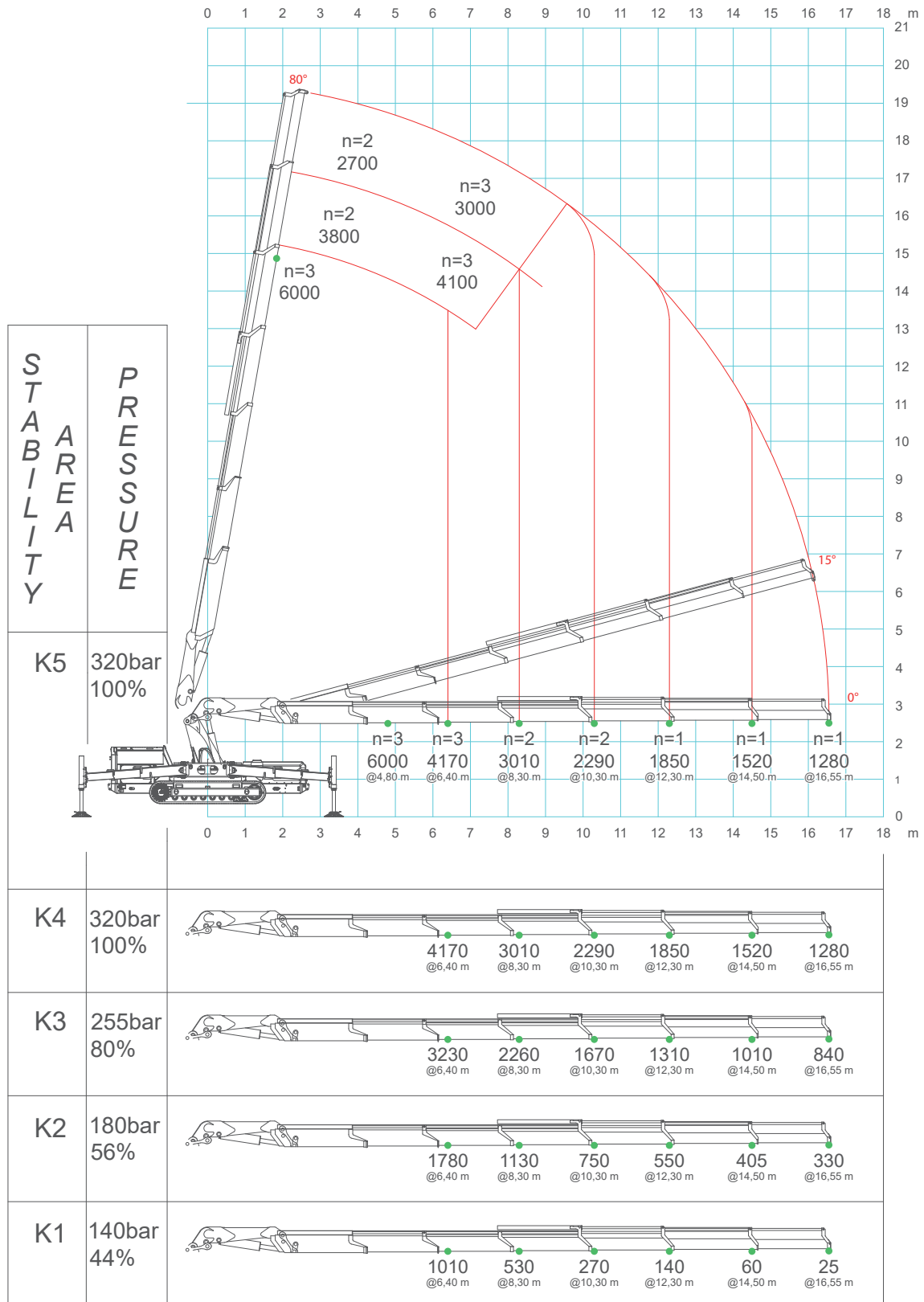
JF365 - MAIN BOOM

HOOK configuration



JF365 - MAIN BOOM

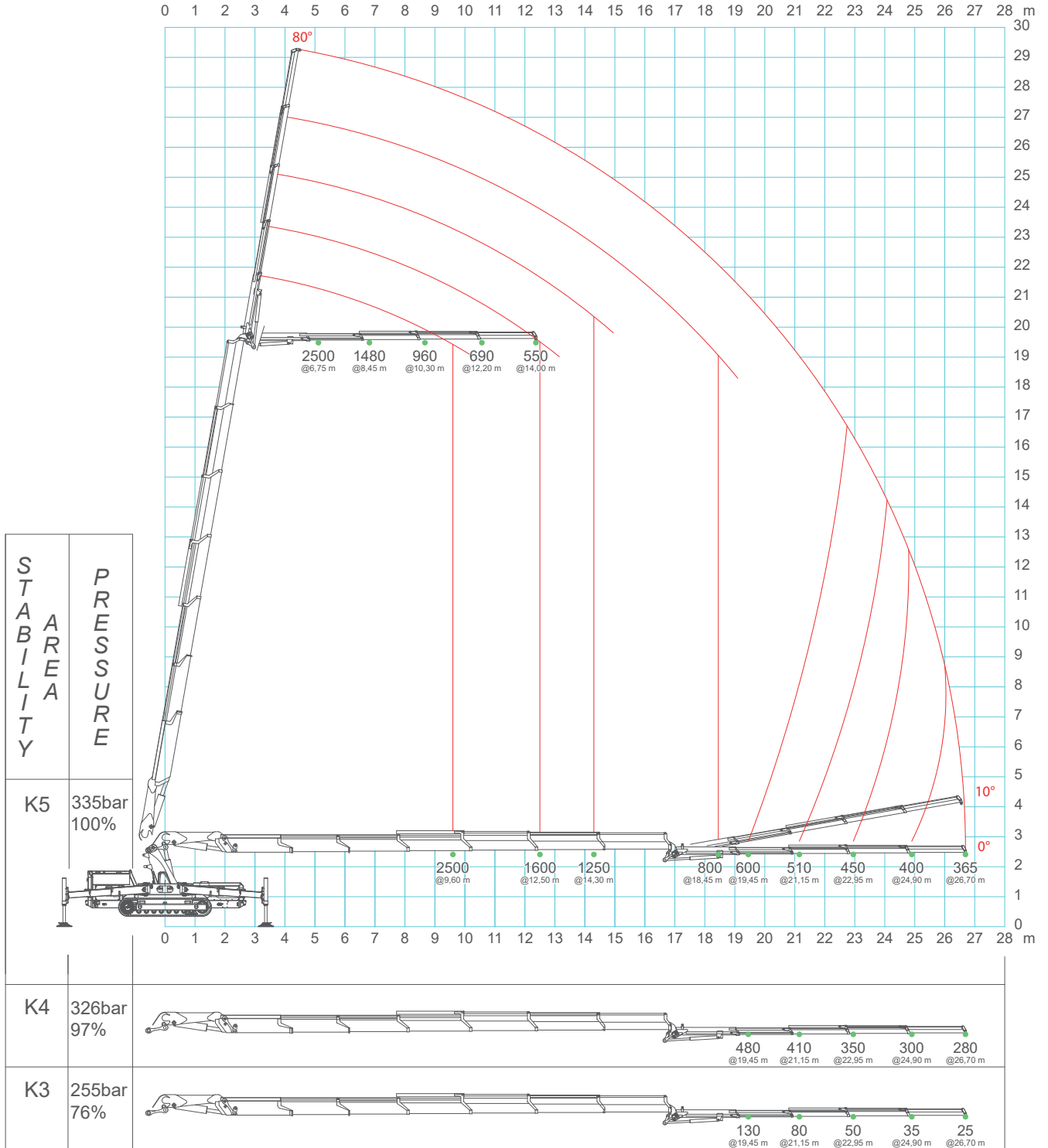
PULLEY configuration



n is the number of falls

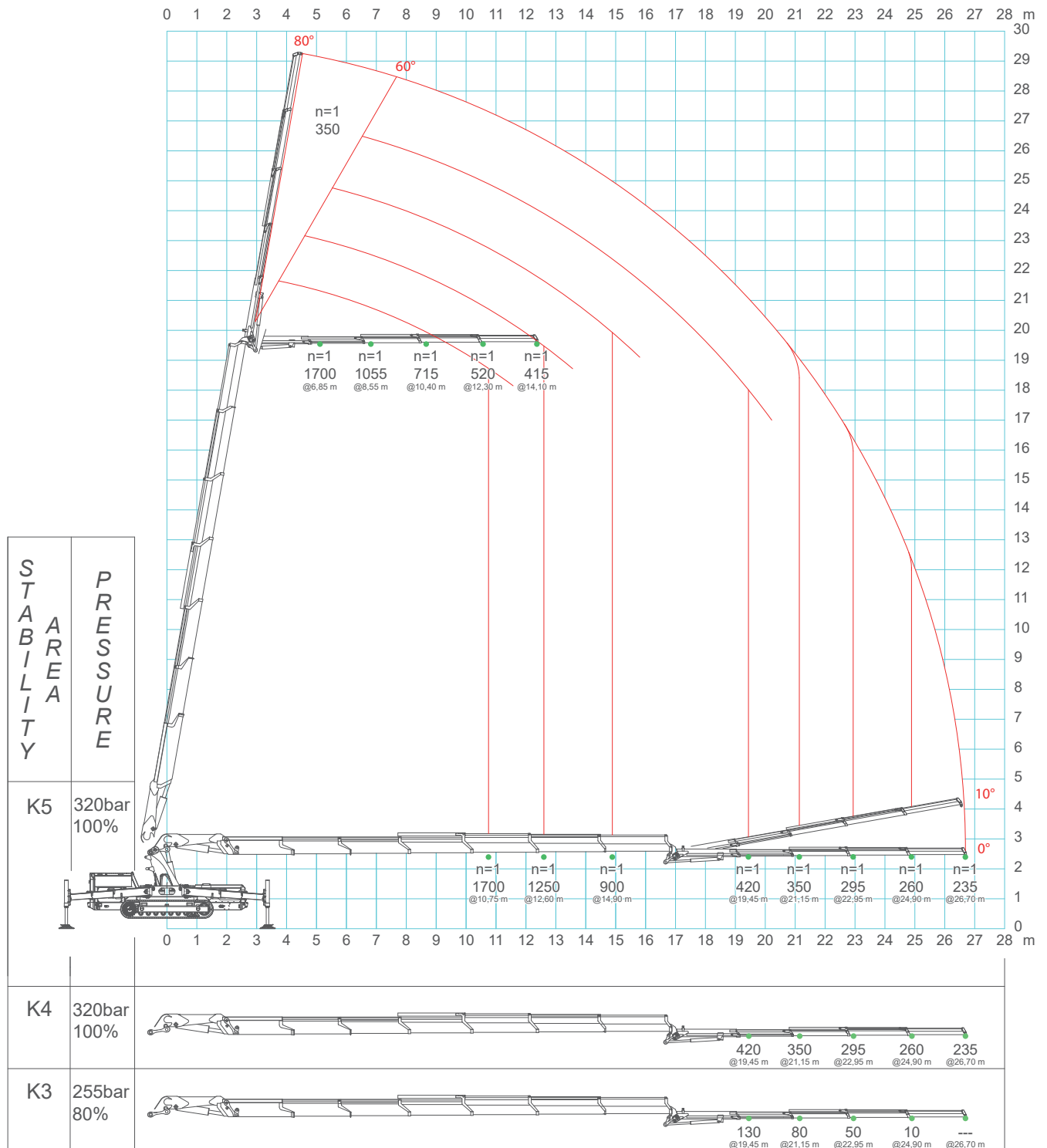
JF365 - JIB2500.4HA

HOOK configuration



JF365 - JIB2500.4HA

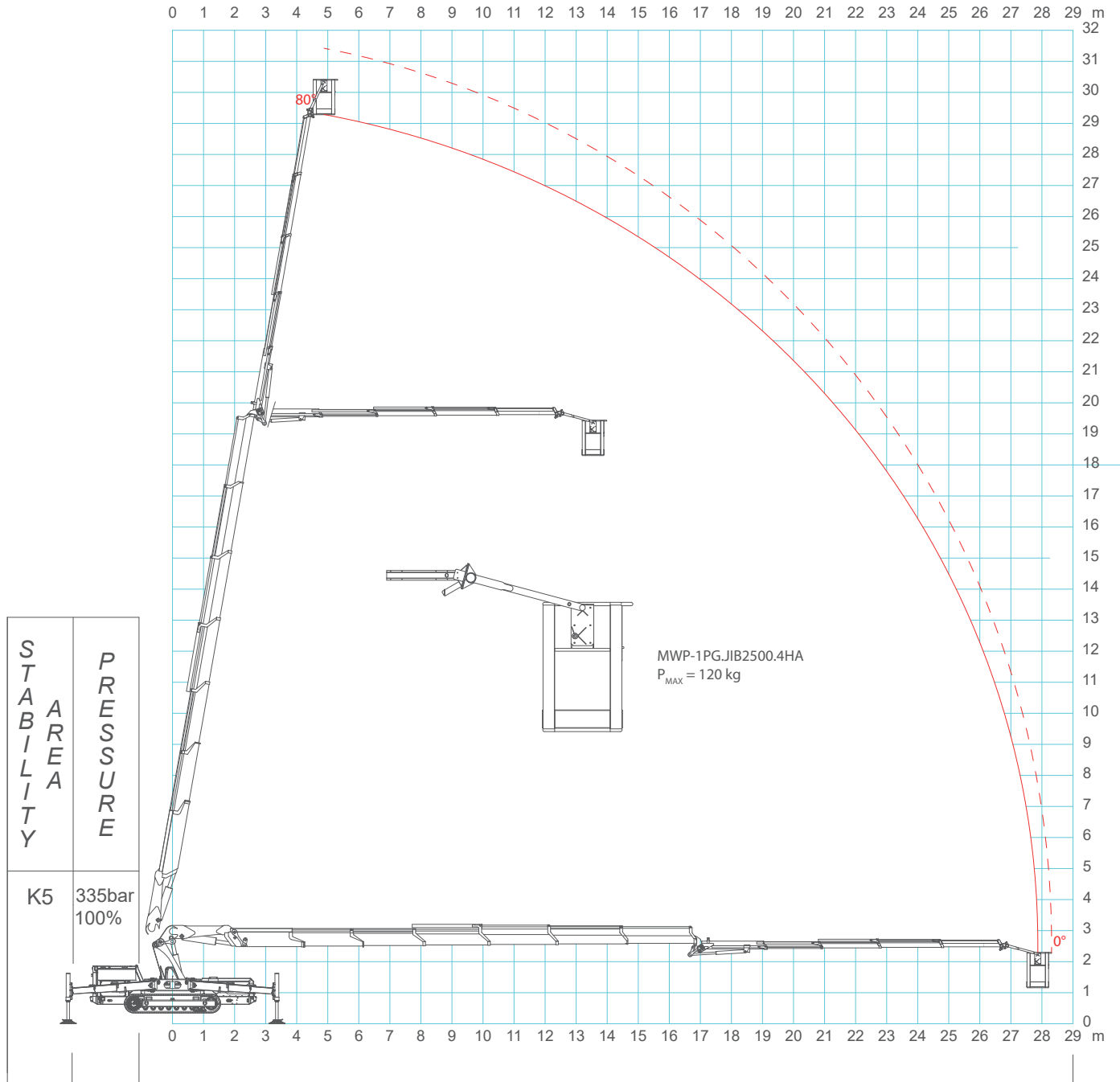
HOOK configuration



n is the number of falls

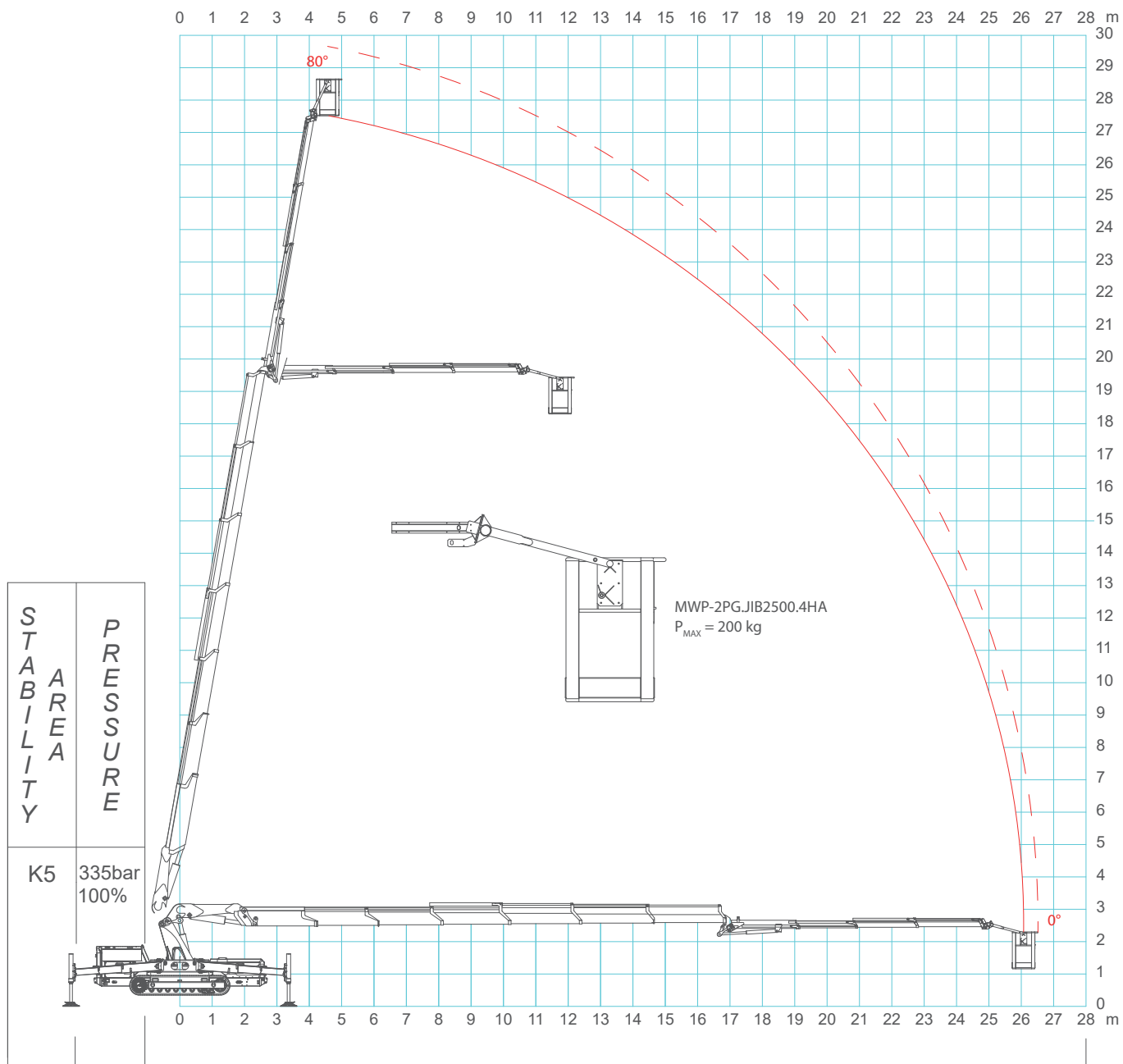
JF365 - MWP-1PG.JIB2500.4HA

Man Working Platform for 1 Worker



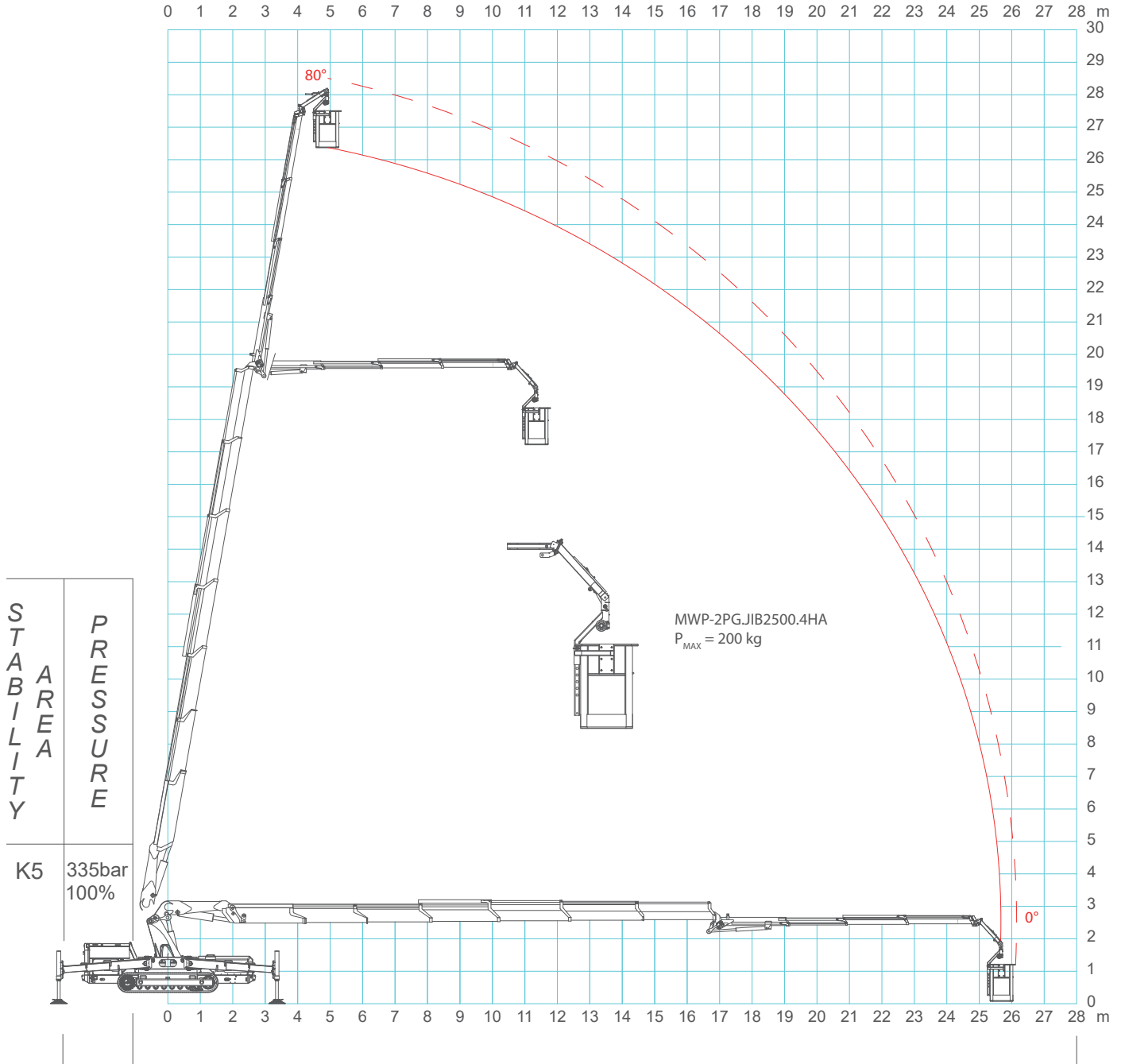
JF365 - MWP-2PG.JIB2500.4HA

Man Working Platform for 2 Workers



JF365 - MWP-2PGR.JIB2500.4HA

Rotating Man Working Platform for 2 Workers



PLE STABILITY CONDITION

Maximum stability needs 8 conditions: 4 complete outriggers rotation and 4 complete outriggers extension. Every lack of condition induces a loss of working area. If more than one condition lack inhibit sectors are added.

Outrigger rotation is considered at its maximum when angle is $<43^\circ$.

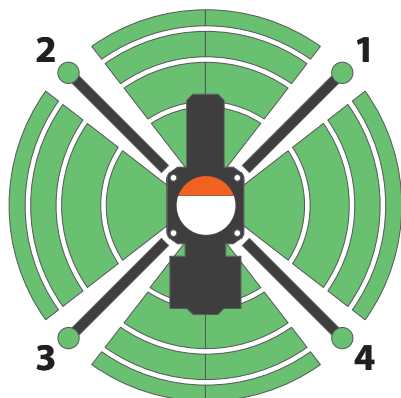
Outrigger extension is considered at its maximum when is greater than 95%.



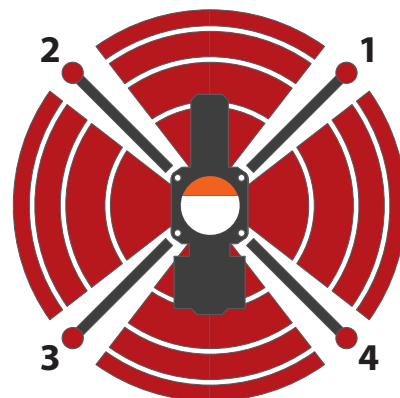
Permitted working area.



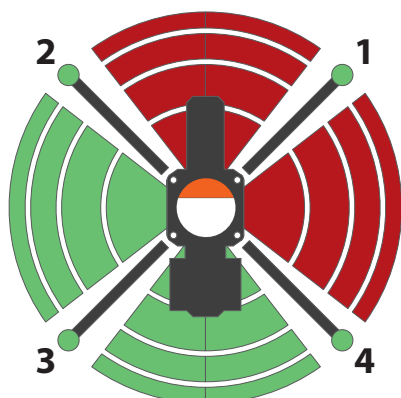
Not permitted working area.



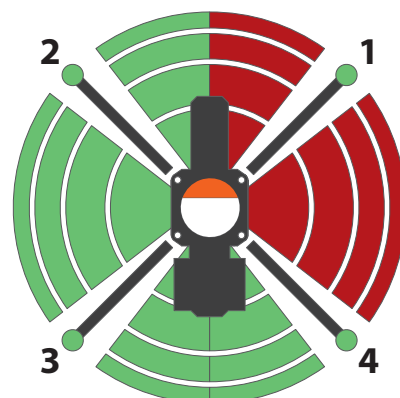
Maximum stability:
Full rotation of the outriggers.
Full extensions of the outriggers.



If even a single outriggers is not on the ground no possible movement is permitted.



Outrigger 1 not fully extended but fully rotated.



Outrigger 1 fully extended but not fully rotated.

ACCESSORIES JF365

JF365

MAN-BASKET

- MWP-JIB2500.4HA
- MWP-1PG.JIB2500.4HA
- MWP-1PGR.JIB2500.4HA
- MWP-2PG.JIB2500.4HA
- MWP-2PGR.JIB2500.4HA
- MWP-CERT

JIB & ATTACHMENTS

- ME1-JIB2500.4HA
- JIB2500.4HA
- MEH-JIB2500.4HA
- HA-JIB2500.4HA
- JF-HLS2
- PS-JF365
- FPS-JF365
- MQC-JFM
- MQC-JFM-2

CRANE OPTIONS

- MEH-JF365.6
- ME1-JF365.6
- WA-JF365-545
- HA-JF365-545
- W2000-JFM
- ACF-JFM
- JF-HLS1
- TB-JFM

CRAWLER OPTIONS

- WTP-JFM
- PP400.13-JFM
- PP480.13-JFM
- PW10-JFM
- HAPW-JFM
- TW-JFM-JFX
- HAPW-JFM
- PW10-JFM
- PP400.13-JFM
- PP480.13-JFM

J-CONNECT

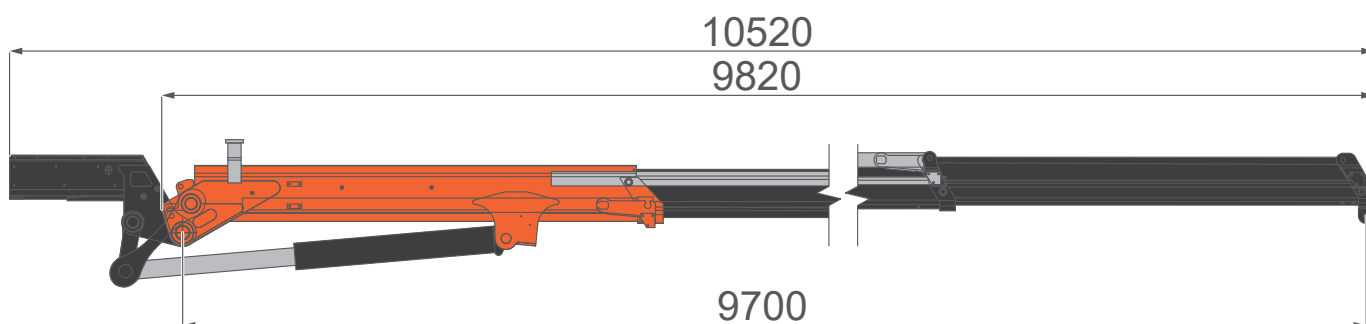
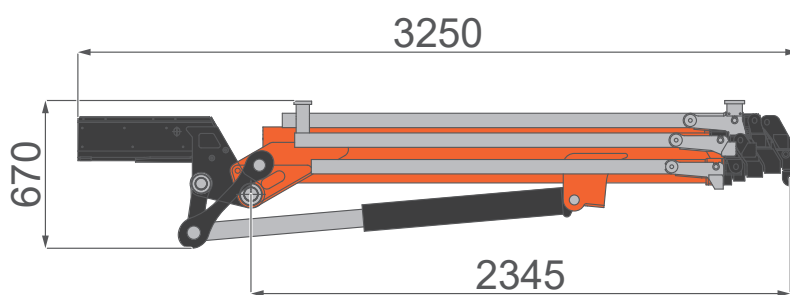
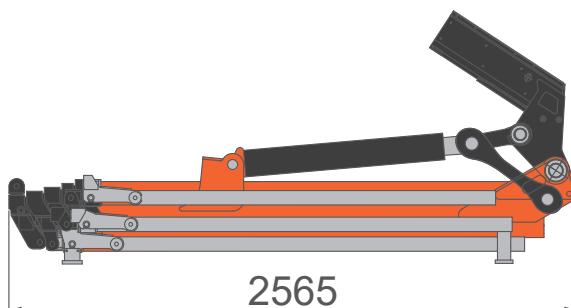
- J-CON-JF
- J-CON-JF-Y2
- 3YW-JF365

CRANE COLOR

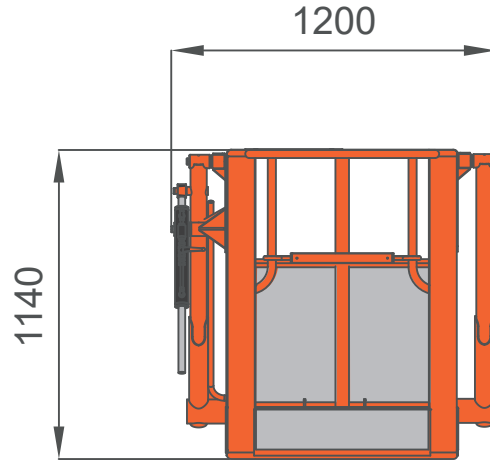
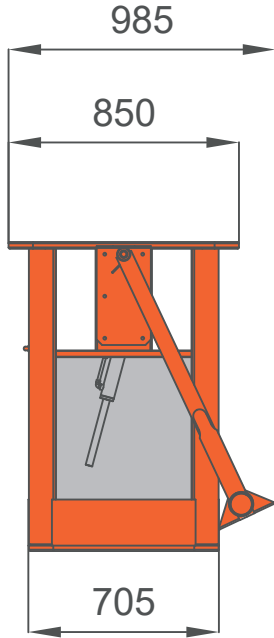
STANDARD	PC1	PC1+PC2	PC1+PC2+PC3
Crane	<input type="checkbox"/> RAL 2004	<input type="checkbox"/> RAL	<input type="checkbox"/> RAL
Crane	<input type="checkbox"/> RAL 9005	<input type="checkbox"/> RAL	<input type="checkbox"/> RAL
Carters & Tool Boxes	<input type="checkbox"/> RAL 7021	<input type="checkbox"/> RAL	<input type="checkbox"/> RAL
Outriggers	<input type="checkbox"/> RAL 9005	<input type="checkbox"/> RAL 9005	<input type="checkbox"/> RAL 9005

LAYOUT

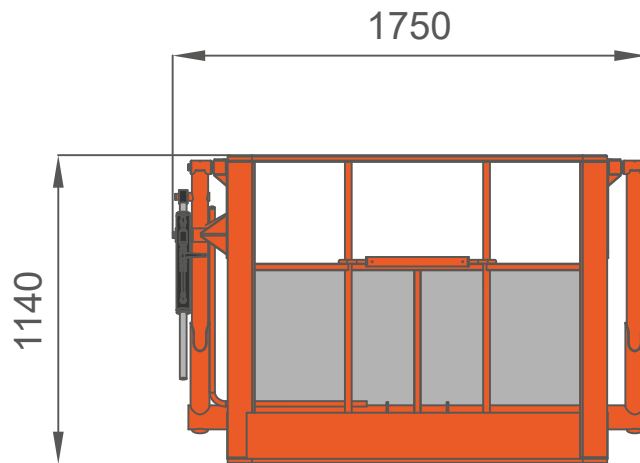
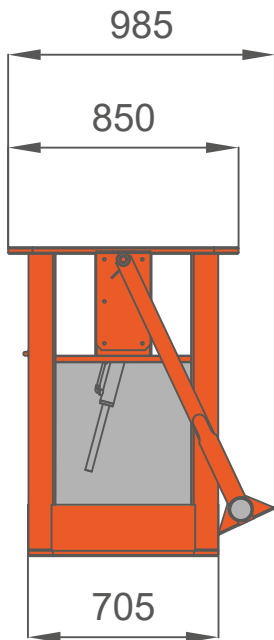
ACCESSORIES FEATURES JIB2500.4HA



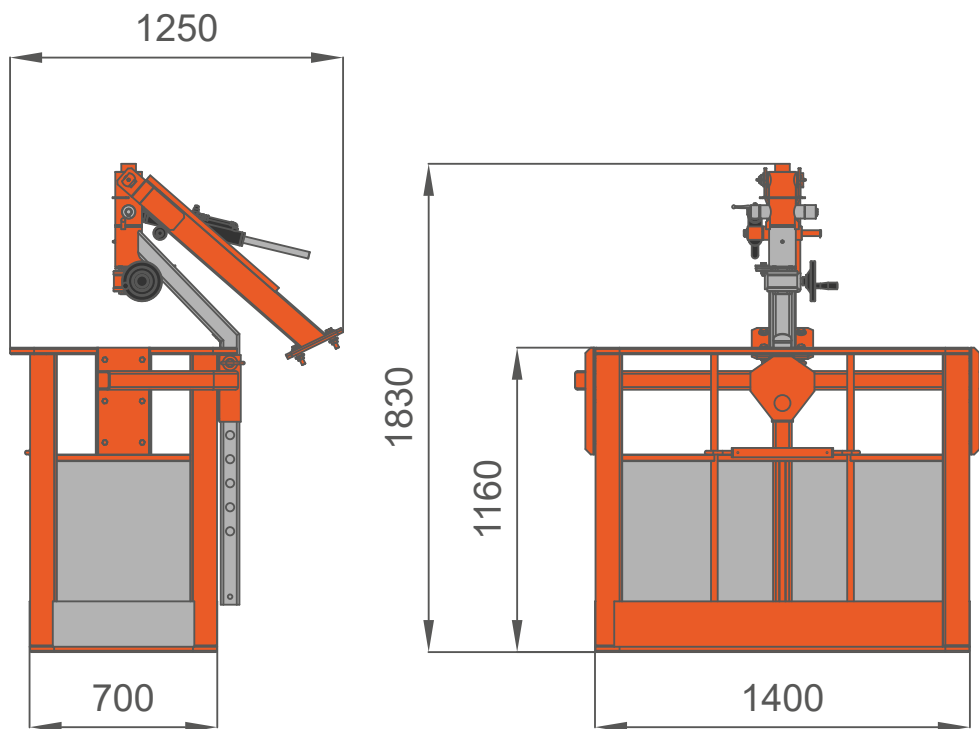
ACCESSORIES FEATURES
MWP-1PG













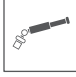
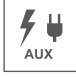






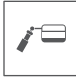

MWP-2PG



ACCESSORIES FEATURES MWP-2PGR



SYMBOLS

	Crane		Engine		Boom Angle		Main Winch
	Counterweight		Diesel Fuel		Boom Length		Hookblock
	Crane		Tank		Jib		Powerpack
	Track Load		Power		Slewing		Hydraulic Oil
	Outrigger Load		Outriggers mats		Basket		White Pads for Steel Tracks

REMARKS REFERRING TO LOAD CHART

- HC1 HD4 S2 lifting class according to EN12999:2011 standards.
- Lifting capacities are given in kilograms.
- The weight of the hook blocks and hooks is part of the load and therefore it must be deducted from the lifting capacities.
- Working radii are measured from the slewing centre.
- The lifting capacities given for the telescopic boom apply if the folding jib is removed.
- Subject to modification of lifting capacities.

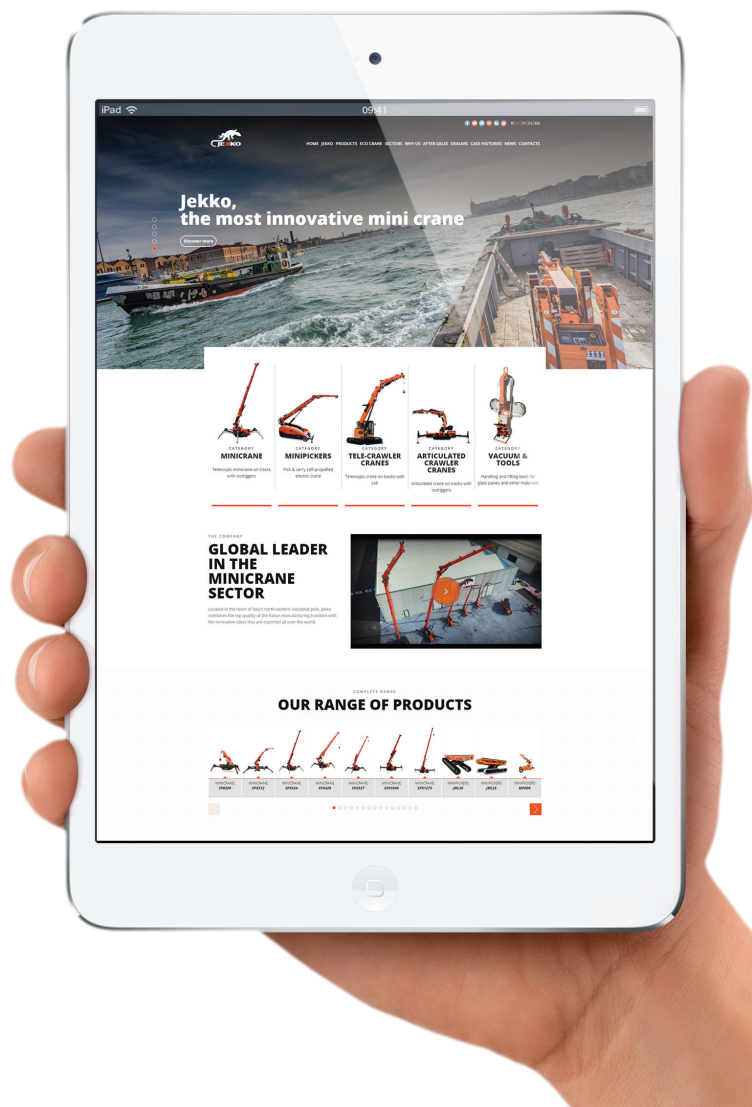
YOUR JEKKO DEALER

EN All specifications and features herein described can be changed without prior advice. All indicated data are indicative only and are not binding as crane performs differently depending on its use. **IT** Tutte le caratteristiche e le specifiche descritte possono essere soggette a variazioni senza preavviso. Tutti i dati riportati sono forniti a puro titolo informativo e non sono impegnativi dal momento che le prestazioni della macchina variano in funzione dell'utilizzo. **DE** Unangekündigte Änderungen sämtlicher Eigenschaften und Daten sind möglich. Alle Angaben sind Richtwerte und nicht verbindlich da die Leistungen der Vorrichtung von deren Einsatz abhängen. **ES** Todas las características y las especificaciones aquí indicadas pueden ser sujetas a variaciones sin aviso. Se dan todos los datos aquí indicados como simples informaciones. No se consideran como vinculantes, dado que las prestaciones del maquinario pueden variar. **FR** Toutes les caractéristiques et le spécifications descriptives peut être sujet à variation sans préavis. Tout les données rapportés sont fournis à titre informatif et ne sont pas engager au moment que la prestation de la machine change en fonction de l'emploi.



www.jekko-cranes.com

Visit jekko-cranes.com to keep in contact with us, discover all the latest news and find out technical details of all our products.





Jekko s.r.l.

Via Campardone, 1 - 31014 Colle Umberto (TV) - Italy
info@jekko.it - www.jekko-cranes.com

SERIAL NUMBER:



28.11.2022 | Rev.3